

RCMDVI40AT

DVI-I Dual Display KVM over IP Transmitter with Remote Access



The RCMDVI40AT is high performance IP-based transmitters that can provide remote access through WinClient / JavaClient / WebClient via their remote ports, while providing remote console access from a separate location when used with receivers. The setup allows extended access for remote computer systems via USB consoles (USB keyboard, USB mouse, DVI monitor) over intranet and Internet, enabling users to place the the managed servers / computers in secure and temperature-controlled environments, which may be isolated from users' workstation.

The RCMDVI40AT is integrated with exclusive RCM APIs for providing various extensive functions, including local / remote access control, automated operation sequences (SendKey / SendMouse), screen monitoring, remote troubleshooting, image sampling comparison, optical character recognition (OCR), and more. The RCMDVI40AT is equipped with an FPGA graphics processor that offers great image and video quality to enhance OCR accuracy. Moreover, the RCMDVI40AT further enhances its production line application capabilities by supporting OSD Title Bar Notification and Access Control Box ([2XRT-0015G](#)), for enabling / disabling remote control privilege locally.

The RCMDVI40AT also supports ATEN's Control Center Video Session Recorder ([CCVSR](#)) software for recording of all operations made on the server connected via its remote port. Every operation and change – bootups at BIOS level to system level, logging in and logging out, running software applications to configure the operating system – is recorded and saved to a secure video file for security reference and troubleshooting purposes, and etc.

The RCMDVI40AT DVI-I Dual Display KVM over IP Transmitter supports two DVI displays and provide lossless and low latency video transmissions up to 1920 x 1200 @ 60 Hz.

The transmitter supports connections via an RJ-45 port or a SFP slot. It can be connected to a receiver either directly, or via a high-speed network over a copper-based or fiber-based LAN. When connecting to a fiber optic network using 1-Gbps SFP fiber module* expansions, users can extend transmission distances to up to 10 km. The RCMDVI40AT also features dual power supplies for redundancy to ensure uninterrupted operation. In addition, with RS-232 support and Auto MDIX, the RCMDVI40AT provides a convenient way for instilling digital extension for production line applications through a network.

As an IP-based matrix extender, the RCMDVI40AT can be used as a point-to-point / point-to-multipoint / multipoint-to-point / multipoint-to-multipoint extender. When combined with the KVM over IP Matrix Manager ([CCKM](#)), it can be integrated into a KVM over IP Matrix System (multipoint-to-multipoint) for providing more flexible applications in different working environments.

Implementing the [CCKM](#) with RCMDVI40AT, IT administrators can benefit from advanced features such as auto detection of all RCMDVI40AT devices on the same subnet for the sake of fast installation or configuration, username/password authentication and authorization, and the ability to define different types of connections that can be switched and shared. Security features of the RCMDVI40AT include AES 128-bit encryption for secured data transmissions, as well as RADIUS, LDAP, Active Directory, TACACS+ for 3rd-party authentication services. All in all, the RCMDVI40AT is the most cost-effective and convenient way to instill full digital extension for production line applications through a network.

*The SFP module ([2A-136G](#) / [2A-137G](#)) is sold separately. Contact your ATEN dealer for product information.

Features

• Advanced Features*

- Supports exclusive integrated RCM API with various functions for system integrators by remote port
- Supports recording of remotely-accessed computer operations using [CCVSR](#)
- Boundless Switching – simply move the mouse cursor across screen boundaries to switch between different receivers (Rx)
- "Push" and "Pull" – shares content instantly to / from a single Rx or video wall by just one click
- Video Walls – create multiple video walls with up to 12 x 12 (144 displays max.) in each layout
- Advanced Scheduling – improves efficiency and saves costs by allowing connections to be set based on time and date
- Virtual Transmitter – independently streams video, audio, USB, and serial sources from different Tx
- Internal and external authentication support – supports LDAP, Active Directory, RADIUS and TACACS+ external authentications
- Configurable user and group permissions for access and control of RCM / KVM over IP extenders
- Rx access control – users at the Tx local console can enable / disable Rx access by simply pressing a control button**

*These advanced functions are supported when the RCM / the KVM over IP transmitters are paired with the KVM over IP receivers and managed by [CCKM](#).

**The KVM over IP Access Control Box ([2XRT-0015G](#)) is sold separately. Contact your ATEN dealer for product information.

• Hardware

- Supports power / network failover – dual DC jacks for power redundancy and 1 RJ-45 and 1 SFP fiber ports for network failover to ensure constant availability for mission-critical applications
- Supports 1Gbps SFP fiber module expansions up to 10 km*
- Advance processor provides lossless and low latency video transmissions up to 1920 x 1200 @ 60 Hz
- Supports digital (DVI) or analog (VGA) video output**
- Audio Enabled – supports stereo speakers and microphone
- High speed Virtual Media Support***
- Auto-MDIX – automatically detects cable type
- Built-in 8kV / 15kV ESD protection and 2kV surge protection
- Fanless design for silent operations that are energy efficient
- Mounting options:
 - [2X-021G](#) Dual Rack Mount Kit
 - [2X-031G](#) Single Rack Mount Kit
- Includes an industrial-grade power adapter – supports operating temperature of 0 – 50 °C to ensure durability and adaptability under harsh environmental conditions

*The SFP module ([2A-136G](#) / [2A-137G](#)) is sold separately. Contact your ATEN dealer for product information.

**To convert a DVI to VGA signal, a DVI-I to VGA converter is required.

*** Some of the RCMDVI40AT features may not be supported, depending on the functionality of the cascaded KVM switch. (For example, some switches do not support virtual media.)

• Management

- Integration with ATEN [CCVSR](#) Video Session Recording Software
- Local console – flexible local or over IP console access
- EDID Expert™ – selects optimum EDID settings for smooth power-up and highest quality display
- Four selectable access modes for multiple simultaneous access (Exclusive / Occupy / Share / View only mode) – administrators can select access modes of permissions on Tx devices to boost collaboration or to avoid interference among users
- On-screen Preview – allows users to view the video of up to 36 displays on one screen
- Fast Switching – switches between different remote video resolutions on a local display within 0.3 seconds
- Command Line Interface – administrators can control all RCM / KVM over IP extenders via RS-232 or TCP/IP using a CLI or 3rd party application
- Supports Hotkey Commands
- Flashing LED and beeping feature helps locate and identify devices
- RCM / KVM over IP extenders can "Push" and "Pull" to share content

• Security

- Dedicated LAN port for RCM / KE direct connections – can be isolated from the corporate network
- Secure data transmission – AES 128-bit encryption to secure all data before transmitted over a network and decrypts the data on the receiver
- Supports industry-standard Transport Layer Security (TLS) protocol

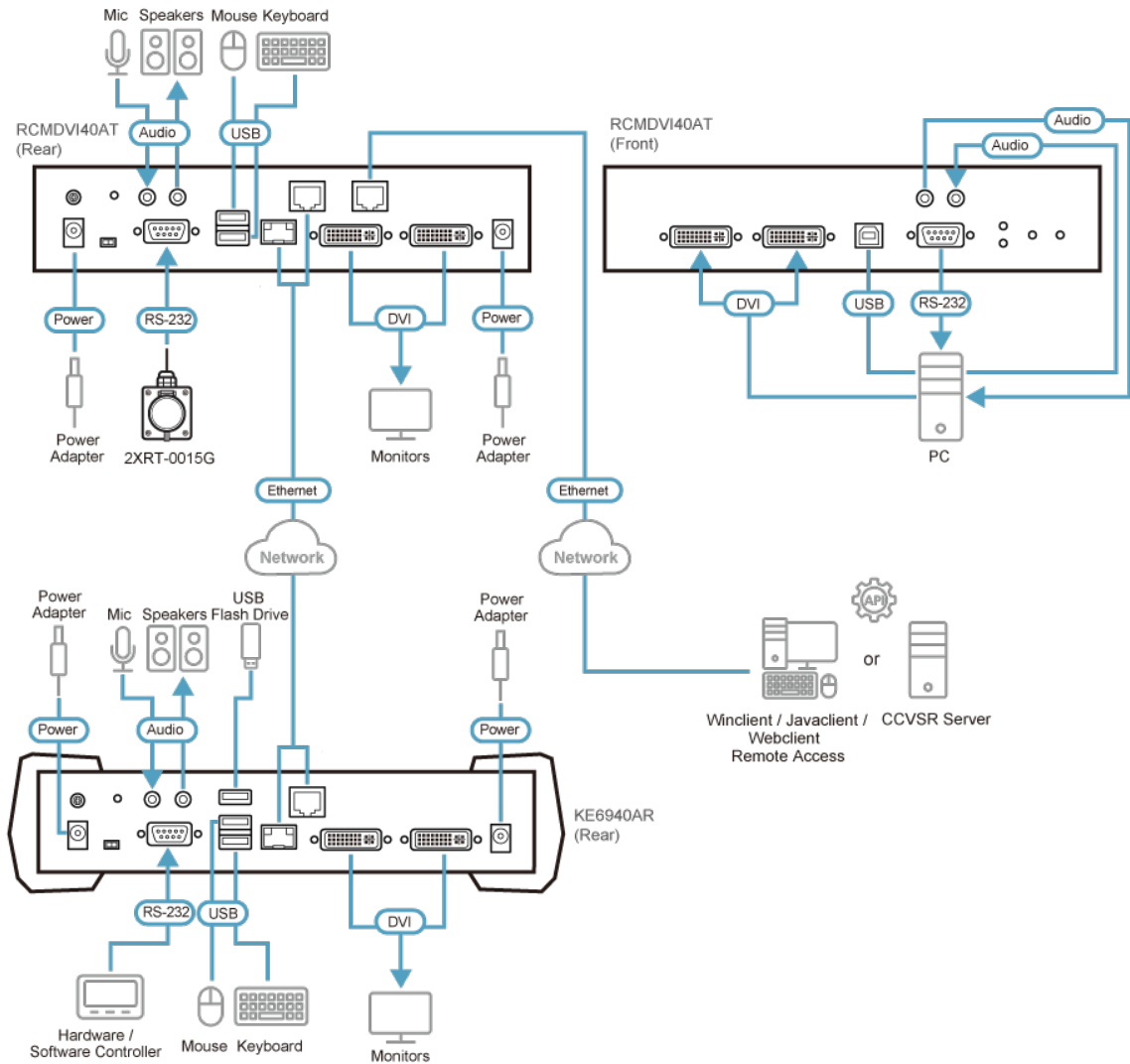
• Virtual Media

- Virtual media enables file transfers, OS patching, software installations and diagnostic testing
- Supports USB 2.0 DVD / CD drives, USB mass storage devices, PC hard drives and ISO images
- Supports Smart Card / CAC Reader

Specifications

Connectors	
Console Ports	2 x USB Type A Female (White) 2 x DVI-I Female (White) 1 x Mini Stereo Jack (Green) 1 x Mini Stereo Jack (Pink) 1 x DB-9 Male (Black)
KVM Ports	1 x USB Type B Female (White) 2 x DVI-I Female (White) 1 x Mini Stereo Jack (Green) 1 x Mini Stereo Jack (Pink) 1 x DB-9 Female (Black)
Power	2 x DC Jack (Black)
LAN Ports	1 x RJ-45 (Black) 1 x SFP Slot
Internet Ports	1 x RJ-45 (Black)
USB Port	N/A
Switches	
OSD	N/A
Video	N/A
Graphics	N/A
Reset	1 x Semi-recessed Pushbutton
Mode Selection	1 x Slide Switch (Auto, RS-232 Config/Access Control, Local)
LEDs	
Link	1 (10: Orange / 100: Orange & Green / 1000: Green)
Power	1 (Blue)
Local	1 (Green)
Remote	1 (Green)
Emulation	
Keyboard / Mouse	USB
Power Consumption	DC12V:18.36W:90BTU/h Note: ● The measurement in Watts indicates the typical power consumption of the device with no external loading. ● The measurement in BTU/h indicates the power consumption of the device when it is fully loaded.
Video Resolution	Up to 1920 x 1200 @ 60Hz
Environmental	
Operating Temperature	0–50°C
Storage Temperature	-20–60°C
Humidity	0–95% RH, Non-condensing
Physical Properties	
Housing	Metal
Weight	1.18 kg (2.6 lb)
Dimensions (L x W x H)	21.50 x 16.33 x 4.18 cm (8.46 x 6.43 x 1.65 in.)
Note	For some of rack mount products, please note that the standard physical dimensions of WxDxH are expressed using a LxWxH format.

Diagram



ATEN International Co., Ltd.

3F, No.125, Sec. 2, Datong Rd., Sijhih District., New Taipei City 221, Taiwan
 Phone: 886-2-8692-6789 Fax: 886-2-8692-6767
 www.aten.com E-mail: marketing@aten.com



© Copyright 2015 ATEN® International Co., Ltd.
 ATEN and the ATEN logo are trademarks of ATEN International Co., Ltd.
 All rights reserved. All other trademarks are the property of their respective owners.