

## VE883A

True 4K HDMI Optical Extender (4K@300m (K1, MM) / 10km (K2, SM))



The VE883A is a True 4K HDMI Optical extender that consists of a transmitter VE883AT and a receiver VE883AR to transmit up to 4096 x 2160 / 3840 x 2160 @ 60 Hz (4:4:4) HDMI, audio, USB 2.0, IR, RS-232, and Gigabit Ethernet signals across 300 m (VE883AK1) or 10 km (VE883AK2) over a single duplex fiber optic cable losslessly. While helping avoid bulky cable setup, fiber optic cables are electrically isolated, thus they are immune to RFI and EMI. With ATEN's exclusive FarSmooth technology, the VE883A prevents lagging and freezing by matching the output rates to the input rates and ensures that the video display is stable, smooth and identical to the source, particularly in long-distance extension applications where uninterrupted video streams are required.

The VE883A comes with interfaces of HDMI input / output, analog audio input / output, USB 2.0, IR, RS-232, and Gigabit Ethernet. Connectivity with USB peripherals is expanded thanks to the VE883A's dual USB Type-A ports. For point-to-point extension, pluggable SFP+ modules are included to serve the purpose of optical connection. Plus, the VE883A is compatible with ATEN's [VM7584](#) / [VM8584](#) Optical Input / Output Board installed in ATEN's modular matrix switches to broaden applications. It is suitable for installations where True 4K video transmission across a long distance and electrical isolation are essential, such as control rooms, factories, and hospitals.

**Note: VE883A / VE883AT / VE883AR is not backward compatible with [VE883](#) / [VE883T](#) / [VE883R](#).**



### Features

- Extends HDMI video, audio, IR, RS-232 control, and Ethernet signals over a duplex fiber optic cable across up to 10 km\*
- Lossless transmission of up to 4096 x 2160 / 3840 x 2160 @ 60 Hz (4:4:4) signals
- HDMI (3D, Deep Color, True 4K); HDCP 2.2 compliant
- ATEN's exclusive FarSmooth technology – prevents lagging and freezing by matching the output rates to the input rates and ensures the 4K@60Hz video display to be stable, smooth and identical to the source through 10 Gbps bandwidth
- Supports transparent USB 2.0 signals for expanded connectivity with USB peripherals at a maximum transfer rate of 25MB/s
- Bi-directional IR signal transmission – IR transmission is processed one direction at a time, ranged from 30 kHz to 56 kHz
- Features RS-232 serial port for connecting peripherals such as touch screens, and barcode scanners
- Supports batch upgrades using Firmware Upgrade Utility
- Built-in 8 kV / 15 kV ESD protection
- Plug-and-play
- Hot-pluggable
- Rack-mountable

**Note:**

- The maximum transmission distance may vary depending on the fiber type, bandwidth, connector splicing, losses, model, chromatic dispersion, environmental factor, and kinks.
- For long distance transmissions, ATEN recommends using SFP+ modules to allow compatibility with single or multi mode fibers. Depending on the chosen package (VE883AK1 or VE883AK2), different SFP+ modules are supplied:
  - VE883AK1: 10 Gbps/300m SFP+ Duplex Multi Mode Transceiver
  - VE883AK2: 10 Gbps/10 km SFP+ Duplex Single Mode Transceiver
- ATEN recommends using Single Mode fibers that conform to IEC 11801 (OS1, OS1a, OS2), and Multi Mode fibers that conform to IEC 11801 (OM3, OM4) specifications.
- The Device is class 1 laser product. It meets the safety regulations of IEC/EN 60825-1, 21 CFR 1040.10, and 1040.11 except for deviations pursuant to Laser Notice No. 50, dated June 24, 2007.

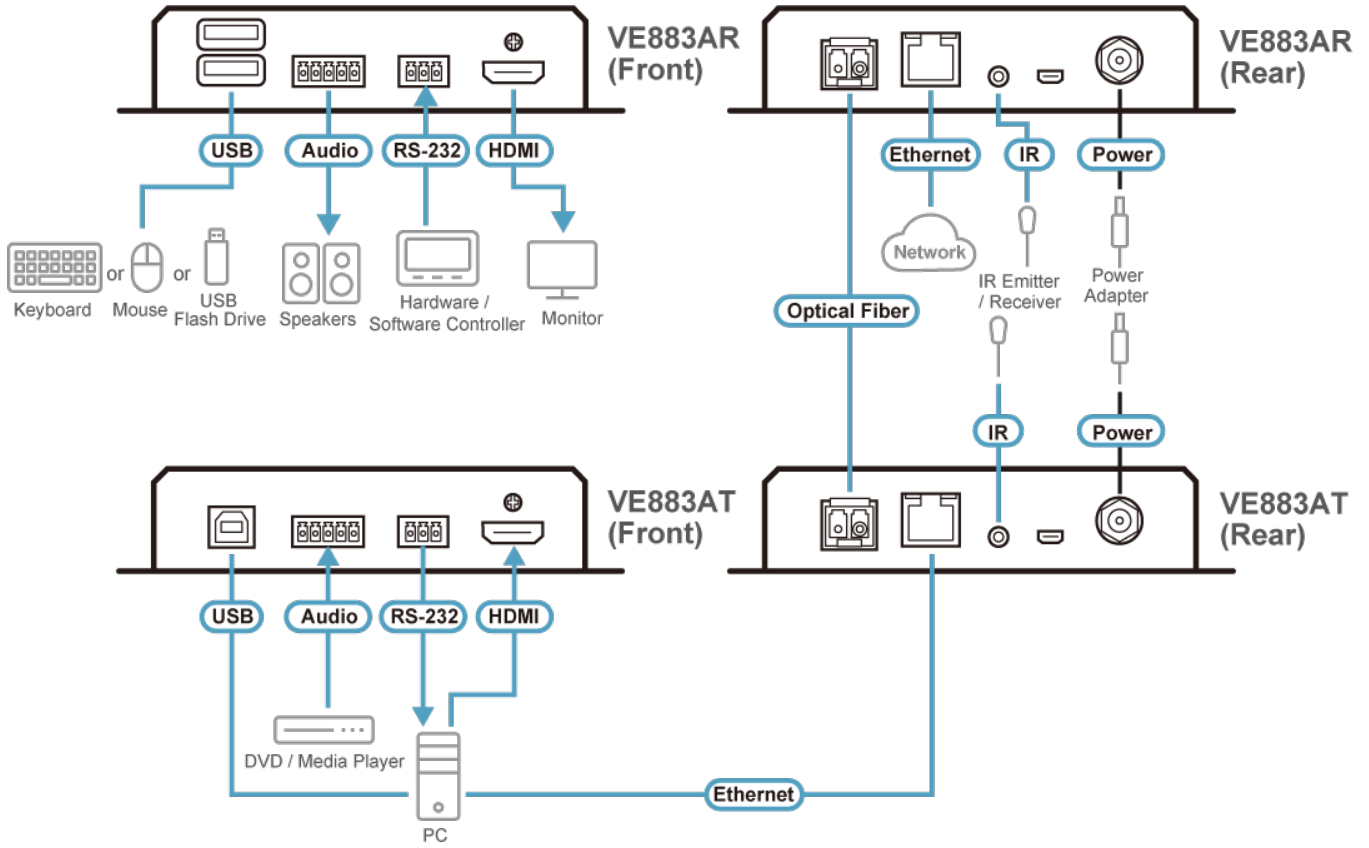
### Specifications

Function	VE883AR	VE883AT
Video Input		
Interfaces	N/A	1 x HDMI Type A Female (Black)
Impedance	N/A	100 Ω

Max. Distance	N/A	Up to 5 m
Video Output		
Interfaces	1 x HDMI Type A Female (Black)	N/A
Impedance	100 Ω	N/A
Max. Distance	Up to 5 m	N/A
Video		
Max. Data Rate	10.2 Gbps (3.4 Gbps Per Lane)	10.2 Gbps (3.4 Gbps Per Lane)
Max. Pixel Clock	594 MHz	594 MHz
Compliance	HDMI (3D, Deep Color, 4K) HDCP 2.2/2.3 Compatible	HDMI (3D, Deep Color, 4K) HDCP 2.2/2.3 Compatible
Max. Resolution	4096x2160@60Hz (4:4:4) / 3840x2160@60Hz (4:4:4)	4096x2160@60Hz (4:4:4) / 3840x2160@60Hz (4:4:4)
Max. Distance	1 x SFP Module (*Note) VE883AK1: 4Kx2K/60Hz 4:4:4 up to 300m (MM, OM3, Black) VE883AK2: 4Kx2K/60Hz 4:4:4 up to 10km (SM, Blue)	1 x SFP Module (*Note) VE883AK1: 4Kx2K/60Hz 4:4:4 up to 300m (MM, OM3, Black) VE883AK2: 4Kx2K/60Hz 4:4:4 up to 10km (SM, Blue)
Audio		
Input	N/A	1 x Terminal Block, 5 pole (Green)
Output	1 x Terminal Block, 5 pole (Green)	N/A
Connectors		
Unit To Unit	1 x bi-directional SFP (LC)	1 x bi-directional SFP (LC)
Firmware Upgrade	1 x Micro USB (Type B) Female (Black)	1 x Micro USB (Type B) Female (Black)
Power	1 x DC Jack with locking	1 x DC Jack with locking
Fiber Optics		
Data Rate	10.3 Gbps	10.3 Gbps
Wavelength	VE883AK1: 850 nm VE883AK2: 1310 nm	VE883AK1: 850 nm VE883AK2: 1310 nm
Fiber Type	VE883AK1: Multimode(MM), OM3, LC Duplex Type VE883AK2: Singlemode(SM), LC Duplex Type	VE883AK1: Multimode(MM), OM3, LC Duplex Type VE883AK2: Singlemode(SM), LC Duplex Type
Control		
USB Channel	2 x USB Type A Female (White)	1 x USB Type B Female (White)
RS-232 Channel	1 x Terminal Block, 3 pole (Green)	1 x Terminal Block, 3 pole (Green)
IR Channel	1 x Mini Stereo Jack Female (Black); 30K~56 KHz full range transmission	1 x Mini Stereo Jack Female (Black); 30K~56 KHz full range transmission
Ethernet Channel	1 x GbE (RJ-45 Female)	1 x GbE (RJ-45 Female)
LEDs		
Power	1 (Green)	1 (Green)
Link	1 (Orange)	1 (Orange)
Video Output	1 (Orange)	N/A

Power Consumption	DC12V:6.5W:52BTU/h  Note: ● The measurement in Watts indicates the typical power consumption of the device with no external loading. ● The measurement in BTU/h indicates the power consumption of the device when it is fully loaded.	DC12V:5.57W:26BTU/h  Note: ● The measurement in Watts indicates the typical power consumption of the device with no external loading. ● The measurement in BTU/h indicates the power consumption of the device when it is fully loaded.
Environmental		
Operating Temperature	0-40°C	0-40°C
Storage Temperature	-20 - 60°C	-20 - 60°C
Humidity	0 - 80% RH, Non-Condensing	0 - 80% RH, Non-Condensing
Physical Properties		
Housing	Metal	Metal
Weight	0.66 kg ( 1.45 lb )	0.67 kg ( 1.48 lb )
Dimensions (L x W x H) with bracket	16.94 x 14.69 x 3.00 cm (6.67 x 5.78 x 1.18 in.)	16.94 x 14.69 x 3.00 cm (6.67 x 5.78 x 1.18 in.)
Dimensions (L x W x H) without bracket	16.60 x 12.49 x 2.90 cm (6.54 x 4.92 x 1.14 in.)	16.60 x 12.49 x 2.90 cm (6.54 x 4.92 x 1.14 in.)
Note	<ol style="list-style-type: none"> <li>1. Operating distance is approximate. A typical maximum distance may vary depending on factors such as fiber type, bandwidth, connector splicing, losses, modal or chromatic dispersion, environmental factors, and kinks.</li> <li>2. It is recommended that you use Single Mode fibers that conforms to IEC 60793- 2-50 B1.1 or ITU-T G.652.B specifications; Use Multi Mode fibers that conform to IEC 11801 (OM3) specifications.</li> <li>3. The Device is class 1 laser product. It meet the safety regulations of IEC-60825, FDA 21 CFR 1040.10, and FDA 21 CFR 1040.11.</li> </ol>	<ol style="list-style-type: none"> <li>1. Operating distance is approximate. A typical maximum distance may vary depending on factors such as fiber type, bandwidth, connector splicing, losses, modal or chromatic dispersion, environmental factors, and kinks.</li> <li>2. It is recommended that you use Single Mode fibers that conforms to IEC 60793- 2-50 B1.1 or ITU-T G.652.B specifications; Use Multi Mode fibers that conform to IEC 11801 (OM3) specifications.</li> <li>3. The Device is class 1 laser product. It meet the safety regulations of IEC-60825, FDA 21 CFR 1040.10, and FDA 21 CFR 1040.11.</li> </ol>

Diagram



**ATEN International Co., Ltd.**

3F., No.125, Sec. 2, Datong Rd., Sijhih District., New Taipei City 221, Taiwan  
 Phone: 886-2-8692-6789 Fax: 886-2-8692-6767  
 www.aten.com E-mail: marketing@aten.com



© Copyright 2015 ATEN® International Co., Ltd.  
 ATEN and the ATEN logo are trademarks of ATEN International Co., Ltd.  
 All rights reserved. All other trademarks are the property of their respective owners.