

CS22DP

2-Port USB DisplayPort Cable KVM Switch with Remote Port Selector



Jump Start Multitasking Productivity with a Simple Push



CS22DP
2-Port USB DisplayPort Cable KVM Switch with Remote Port Selector



Having two computers running different projects at the same time can be a time saver, but having a KVM console set up to switch between computers via a pushbutton over one shared screen makes multitasking even more productive. Allow the CS22DP compact cable KVM switch to work its magic by de-cluttering your desktop workspace with a neat and space-efficient new look, and further enrich your operations with superb 4K audiovisual quality, making your desktop workflows more enjoyable.



4K Visual Clarity



Audio Enabled



USB Peripheral Sharing



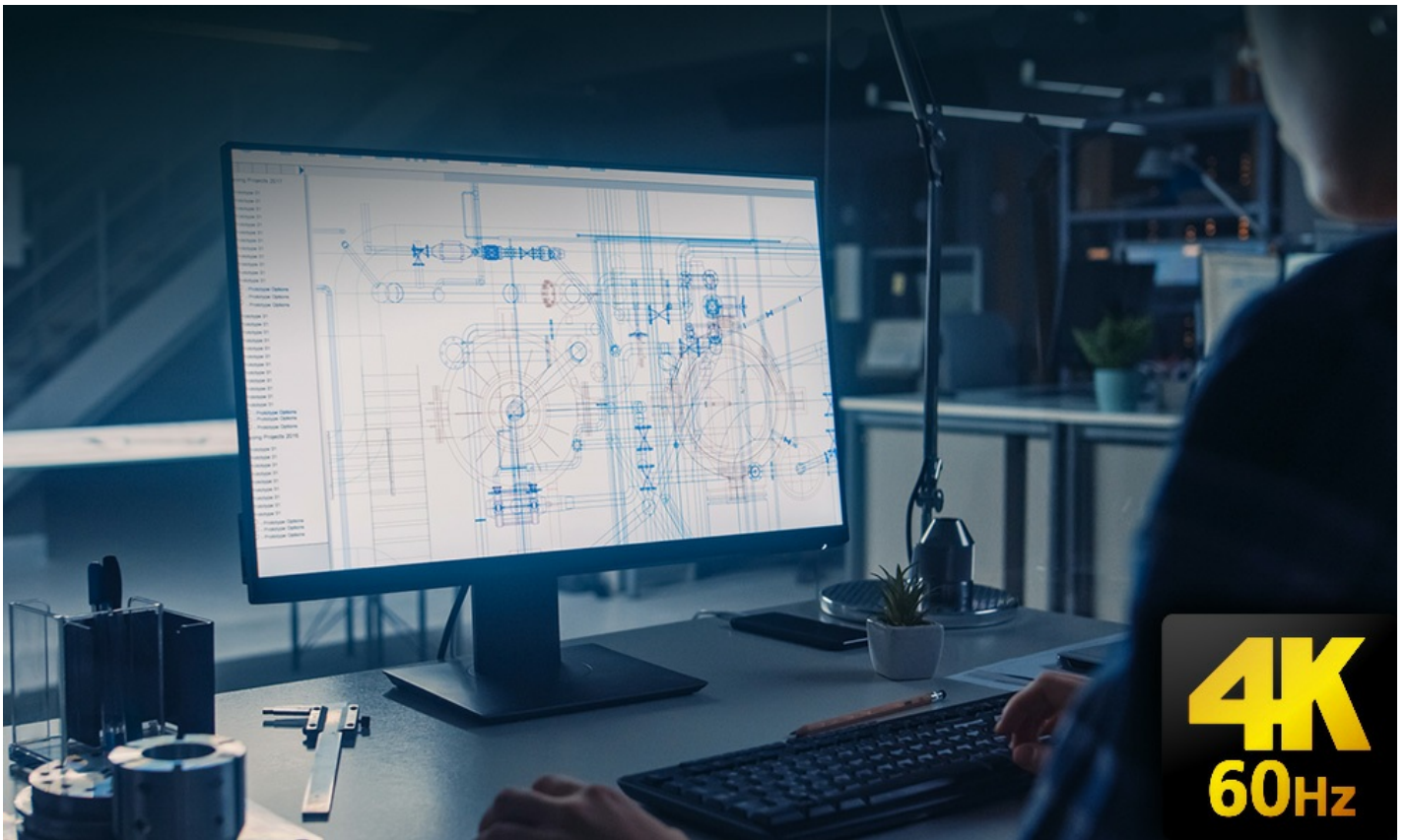
Bus Powered



Remote Port Switching

Superior AV Performance in Vivid 4K

The CS22DP empowers your desktop operations with 4K audiovisual enhancement by presenting visual content in outstanding precision.



Smooth Cross-Platform Integration

The CS22DP enables the integration of different computer systems (Windows, Mac and Linux) that are accessible from one KVM console via one-button switching with the remote port selector.



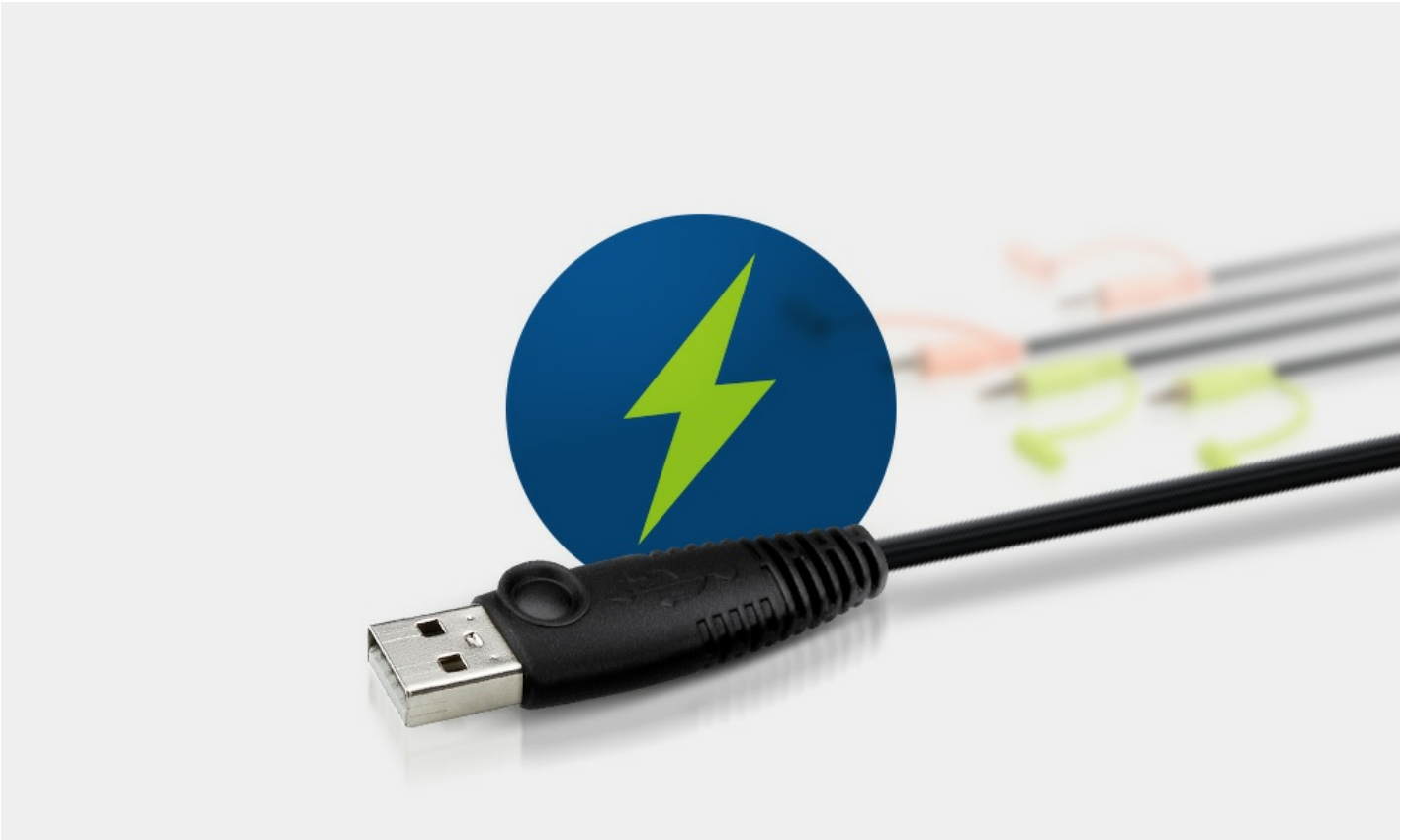
Flexible USB Peripheral Sharing

The console USB ports can be used for plug-n-play connection to compatible USB 2.0 peripheral devices to fulfill data-intensive desktop work requirement.



Plug in. Power on

The CS22DP supports USB hot-plugging and is bus-powered by the connected KVM sources via USB ports.



Applications

The CS22DP Cable KVM Switch allows for an ideal desktop setup in office, media design work and entertainment.



Product Comparison

Features

The CS22DP 2-Port USB DisplayPort Cable KVM Switch is a control unit that allows access to two computers from a single USB and DisplayPort console (keyboard, video and mouse) with audio. With the CS22DP, users can quickly and effortlessly switch between two DisplayPort computers using a convenient remote port selector pushbutton.

The CS22DP supports multiplatform operations allowing users to switch between two PC's running different operating systems. Moreover, the compact design allows for an efficient and tidy installation, providing an ideal space-saving solution for keeping the desk well-organized.

It's fast and easy to set up the CS22DP. Users can simply plug the KVM cables into their respective ports on the CS22DP and on the computers. There is no need to install software or configure devices – just plug and play.

Note:
To connect a VGA/DVI/HDMI monitor to the DisplayPort console port, it requires a separate purchase of DisplayPort to VGA/DVI/HDMI adapter with its own power supply.

- One KVM console controls two USB DisplayPort computers
- Superior video quality – up to 4096 x 2160 @ 30Hz
- Computer selection via Remote Port Selector
- Multiplatform support – Windows, Mac, and Linux
- Supports microphone and speakers
- The console USB ports can be used for USB peripheral sharing ¹
- Supports USB hot-plugging
- DisplayPort 1.1 compliant; HDCP compliant²
- Compatible with widescreen LCD monitors
- Bus-powered

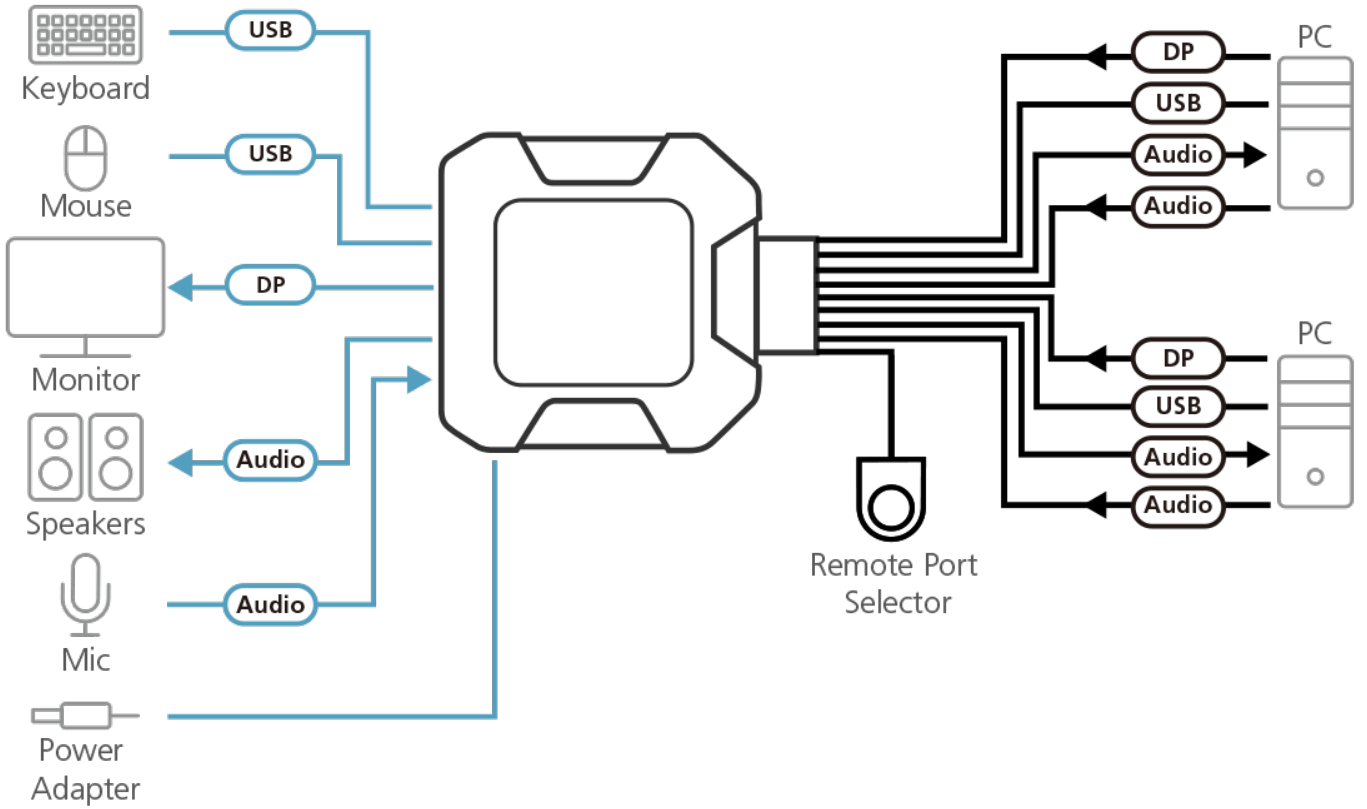
1. The CS22DP may require an external power supply via the USB Micro-B Power Port. For the USB Micro-B cable connecting to the USB Micro-B Power Port, it requires a separate purchase based on the type of the power supply you use.

2. For DisplayPort 1.4 compliant display device, make sure to configure the device setting to be compatible with DisplayPort 1.1 to avoid compatibility issue.

Specification

Computer Connections	2
Port Selection	Remote Port Selector
Connectors	
Console Ports	1 x DisplayPort Female 2 x USB Type A Female 1 x 3.5mm Audio Jack Female (Green) 1 x 3.5mm Audio Jack Female (Pink)
KVM (Computer) Ports	2 x DisplayPort Male 2 x USB Type A Male 2 x 3.5mm Audio Jack Male (Green) 2 x 3.5mm Audio Jack Male (Pink)
Power (Optional)	1 x USB Micro Type B Female
LEDs	
KVM Port (On Line /Selected)	2 (White)
Cable Length	
KVM	2 x 1.2 m
Remote Port Selector	1.8 m
Emulation	
Keyboard / Mouse	N/A
Video	4096 x 2160 @ 60Hz, 2560 x 1440 @ 144Hz
Power Consumption	DC5V:1.38W:28BTU/h Note: ● The measurement in Watts indicates the typical power consumption of the device with no external loading. ● The measurement in BTU/h indicates the power consumption of the device when it is fully loaded.
Environmental	
Operating Temperature	0 - 50°C
Storage Temperature	-20 - 60°C
Humidity	0-80% RH, Non-condensing
Physical Properties	
Housing	Plastic
Weight	0.35 kg (0.77 lb)
Dimensions (L x W x H)	8.34 x 8.42 x 3.04 cm (3.28 x 3.31 x 1.2 in.)
Note	For some of rack mount products, please note that the standard physical dimensions of WxDxH are expressed using a LxWxH format.

Diagram



ATEN International Co., Ltd.

3F., No.125, Sec. 2, Datong Rd., Sijhih District., New Taipei City 221, Taiwan
Phone: 886-2-8692-6789 Fax: 886-2-8692-6767
www.aten.com E-mail: marketing@aten.com



© Copyright 2015 ATEN® International Co., Ltd.
ATEN and the ATEN logo are trademarks of ATEN International Co., Ltd.
All rights reserved. All other trademarks are the property of their respective owners.