

CL6708MW

8-Port USB DVI Single Rail WideScreen LCD KVM Switch



The CL6708MW brings additional versatility to ATEN's line of LCD KVM Switches with its native DVI compatibility. Building on ATEN's renowned, space-saving approach to KVM switches – integrating an LCD panel, full keyboard, and touchpad into a streamlined, 1U housing – the CL6708MW is a highly-scalable LCD KVM switch which features the ability to control up to 64 computers by cascading 8 additional [CS1768](#) 8-port KVM switches.

Featuring an integrated 17.3" LED-backlit LCD panel capable of Full HD 1080p video – greater clarity than typical analog interfaces, the CL6708MW incorporates the YUV video format for greater compatibility with high-definition signals (e.g. NVR sources). Similarly, the CL6708MW is High-Bandwidth Digital Content Protection (HDCP) compatible, making it well-suited for use with content-protected media in corporate, educational, and commercial settings.

To further enhance usability, ATEN's LED illumination light is included to ensure keyboard and touchpad visibility in low-light conditions.

For possible keyboard languages for the EU regions, please follow [this link](#)

Features

- Integrated KVM with a 17.3" widescreen DVI Full HD LCD monitor
- Single rail, sliding housing with top and bottom clearance for smooth operation with a 1U rack
- Controls 8 Single Link DVI computers
- Supports an external console with DVI video port
- Exclusive LED illumination light – designed by ATEN to illuminate the keyboard and touchpad to allow visibility in lowlight conditions
- Additional hot-pluggable USB mouse port on front panel (also functions as a USB peripheral port)
- KVM port extendable via one-level cascade (up to 8 additional [CS1768](#) 8-port KVM switches)
- Computer selection via the front panel pushbuttons, hotkeys, and multilingual on-screen display (OSD)
- Broadcast mode – allows users to send commands from the console to all computers to perform operations simultaneously
- Firmware upgradable
- Supports YUV video format for greater compatibility
- DVI monitor support – fully compliant with DVI specifications
- Video DynaSync™ – exclusive ATEN technology eliminates boot-up display problems and optimizes responsiveness when switching between ports
Note: Video DynaSync™ only works with digital video sources
- HDCP-compatible for hassle-free content-protected media playback
- Superior video quality – 1920 x 1080 @ 60 Hz; DDC2B
- Audio support for connecting speakers
- Auto Scan Mode for monitoring all computers
- Multiplatform support – Windows, Linux, Mac, and Sun
- Console lock – enables the console drawer to remain securely locked away in position when not in use
- Available keyboard layouts: English (US), English (UK), German, German (Swiss), French, Italian, Spanish, Nordic

[More information about "Easy Rack Mounting"...](#)

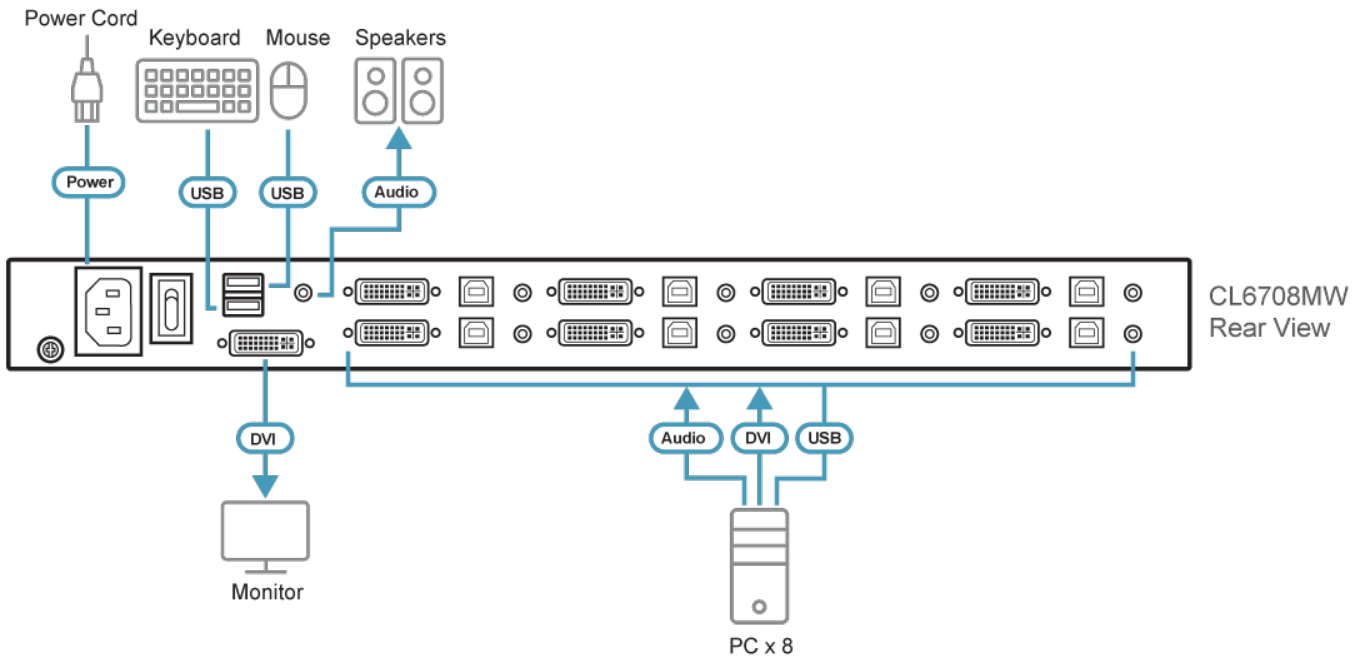
Specification

Function	CL6708MW
Computer Connections	
Direct	8
Maximum	64 (via Cascade)
Port Selection	OSD, Hotkey, Pushbutton
Connectors	

KVM Ports	8 x DVI-I Female (White) 8 x USB Type B Female 8 x 3.5mm Audio Jack Female (Green)
Firmware Upgrade	1 x RJ-11 Female
Power	1 x IEC 60320/C14
External Console Ports	1 x DVI-I Female (White) 2 x USB Type A Female 1 x 3.5mm Audio Jack Female (Green)
External Mouse / Peripheral	1 x USB Type A Female (Front)
Switches	
Port Selection	8 x Pushbutton
Reset	1 x Semi-recessed Pushbutton
Firmware Upgrade	1 x Slide Switch
Power	1 x Rocker Switch
LCD Control	4 x Pushbutton
LCD Power	1 x LED Pushbutton
LEDs	
Online	8 (Orange)
Selected	8 (Green)
Power	1 x KVM Power(Dark Green) 1 x LCD Power(Orange)
Lock	1 x Num Lock (Green) 1 x Caps Lock (Green) 1 x Scroll Lock (Green)
LED Illumination Light	1 x LED Illumination Light
Panel Spec	
LCD Module	17.3" TFT-LCD
Resolution	1920 x 1080 @ 60 Hz
Response time	16 ms
Viewing Angle	170° (H), 170° (V)
Pixel Pitch	0.1989 mm x 0.1989 mm
Support Color	16.77M colors
Contrast Ratio	800:1
Luminance	250 cd/m ²
Video	
Input Video Resolution	up to 1920 x 1200 @ 60 Hz (all resolution @ 60Hz only); 1920 x 1080 @ 60 Hz, DDC2B
Scan Interval	1–255 seconds
Emulation	
Keyboard / Mouse	USB
Maximum Input Power Rating	100–240 V AC, 50/60 Hz, 1 A
Power Consumption	AC110V:23.3W:116BTU/h AC220V:23.3W:116BTU/h Note: <ul style="list-style-type: none"> ● The measurement in Watts indicates the typical power consumption of the device with no external loading. ● The measurement in BTU/h indicates the power consumption of the device when it is fully loaded.

Environmental	
Operating Temperature	0–40°C
Storage Temperature	-20–60°C
Humidity	0–80% RH, Non-condensing
Physical Properties	
Housing	Metal + Plastic
Rail Type	Single Rail
Weight	12.70 kg (27.97 lb)
Dimensions (L x W x H)	48.00 x 68.92 x 4.40 cm (18.9 x 27.13 x 1.73 in.)
Note	For some of rack mount products, please note that the standard physical dimensions of WxDxH are expressed using a LxWxH format.

Diagram





Simply Better Connections

ATEN International Co., Ltd.

3F., No.125, Sec. 2, Datong Rd., Sijhih District., New Taipei City 221, Taiwan
Phone: 886-2-8692-6789 Fax: 886-2-8692-6767
www.aten.com E-mail: marketing@aten.com



© Copyright 2015 ATEN® International Co., Ltd.
ATEN and the ATEN logo are trademarks of ATEN International Co., Ltd.
All rights reserved. All other trademarks are the property of their
respective owners.