

UCE32100

4-port USB 2.0 CAT 5 Extender (up to 100 m)



The UCE32100 is a 4-port USB 2.0 CAT 5 Extender and a two-unit device that serves as a Local Unit (Tx) and Remote Unit (Rx). It provides a durable, high quality connection that harnesses the full capability of the USB 2.0 standard, to ensure reliable data communication.

The UCE32100 can extend the USB transmission distance of up to 100 meters from your computer via an Ethernet cable. The power supply at the receiver UCE32100 unit helps provide sufficient power to any type of USB device, such as POS, flash drives, webcams, scanners, or printers, etc.

A true plug-and-play solution, the UCE32100 is compatible with all leading operating systems. With its durable metal housing, this high-quality USB extender provides a fast and flexible solution for industrial applications. In addition, the compact size with wall mounting and din rail included enables space-saving installation.

Note: Please visit [ATEN Support Center](#) to view the test report for the compatible webcams for more information.

100m

Long
Distance
Transmission



USB 2.0

Transparent
USB Support

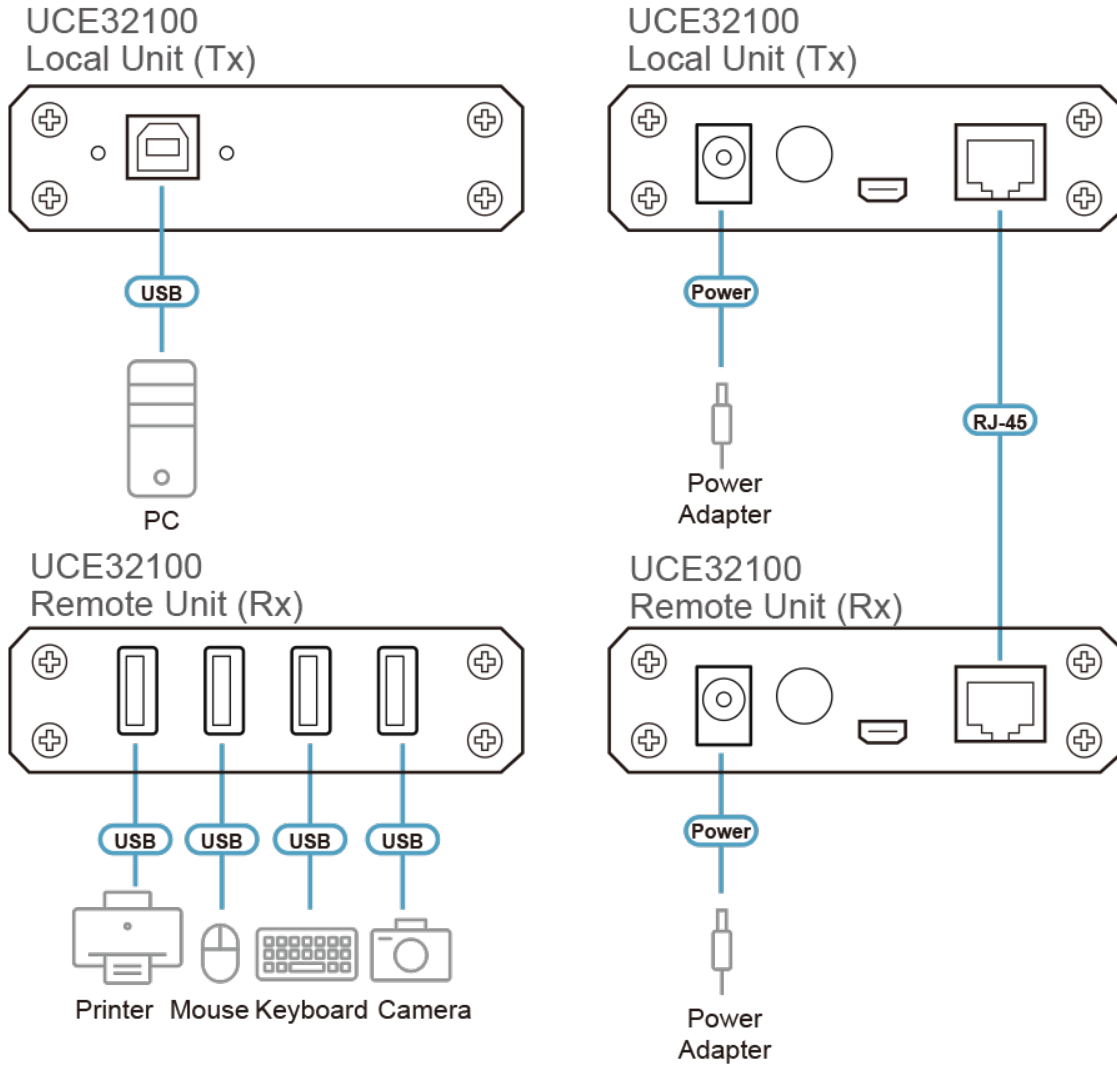
Features

- True USB 2.0 transparent extension over Ethernet cable up to 100 meters
- Supports all USB 2.0 devices up to 480Mbps
- An integrated four port hub allows for extension of up to four USB devices without the need for an additional hub
- Power supply for remote unit to ensure power delivery to multiple devices at once
- Compact size with wall mounting and din rail included for flexible installation
- DC jack lock kit included to ensure durable power adapter connection
- Supports Windows®, OS X®, and Linux®
- Plug-and-play

Specification

Local Unit	
Upstream Port	1 x USB Type B Female
Downstream Port	1 x RJ45 Female 1 x Micro USB Female (Firmware Upgrade)
Power	1 x DC Jack
Remote Unit	
Upstream Port	1 x RJ45 Female
Downstream Port	4 x USB Type A Female 1 x Micro USB Female (Firmware Upgrade)
Power	1 x DC Jack
USB Specification	USB 2.0 High-Speed
Cable Type	Ethernet Cable
Signal Range	100m
LEDs	
Status	2 x LED
Power Consumption	DC5V:1.708W:8BTU/h DC5V:1.649W:50BTU/h Note: <ul style="list-style-type: none"> ● The measurement in Watts indicates the typical power consumption of the device with no external loading. ● The measurement in BTU/h indicates the power consumption of the device when it is fully loaded.
Environmental	
Operating Temperature	0°C to 50°C
Storage Temperature	-20°C to 70°C
Humidity	0–80% RH, Non-condensing
Physical Properties	
Weight	0.21 kg (0.46 lb)
Housing	Metal
Dimensions (L x W x H)	10.15 x 7.90 x 2.44 cm (4 x 3.11 x 0.96 in.)
Note	For some of rack mount products, please note that the standard physical dimensions of WxDxH are expressed using a LxWxH format.

Diagram



ATEN International Co., Ltd.

3F., No.125, Sec. 2, Datong Rd., Sijhih District., New Taipei City 221, Taiwan
 Phone: 886-2-8692-6789 Fax: 886-2-8692-6767
 www.aten.com E-mail: marketing@aten.com



© Copyright 2015 ATEN® International Co., Ltd.
 ATEN and the ATEN logo are trademarks of ATEN International Co., Ltd.
 All rights reserved. All other trademarks are the property of their respective owners.