

CS62U

2-Port USB VGA/Audio Cable KVM Switch (1.8m)





Revamp Your Desktop with KVM Agility

CS62U

2-Port USB VGA/Audio Cable KVM Switch



The compact CS62U allows quick switching between 2 VGA-interfaced PCs via one KVM console and helps to expand your desktop workspace while keeping it tidy and organized for improved productivity. With the shared speaker set, multitasking between computers can be more enjoyable.



USB Peripheral



Bus-powered



Multi-platform Support

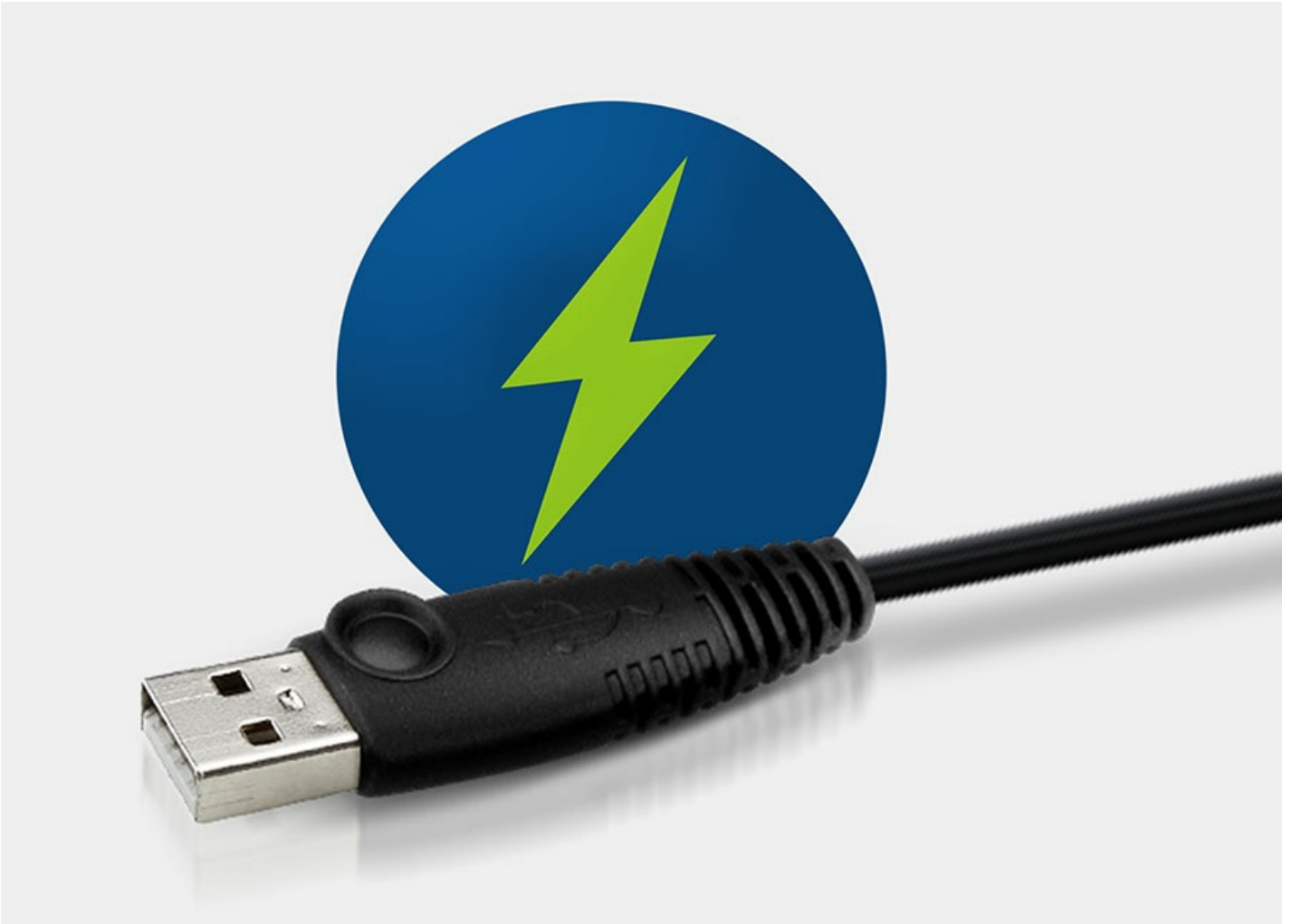


Audio Enabled

Smooth Cross-Platform Integration

The CS62U enables the integration of different computer systems (Windows, Mac, Linux and Sun) that are accessible from one KVM console.





Plug in. Power on.

The CS62U supports USB hot-plugging and is bus-powered by the connected KVM sources via USB ports.

Contact Us

Get a quote for this product or get in touch with our sales experts

[Get Quote](#)

[Contact Sales](#)



Applications



Office



Media Design



Finance



Healthcare

Product Comparison



CS22U

2-Port USB VGA Cable
KVM Switch with
Remote Port Selector



CS62U

2-Port USB VGA/Audio
Cable KVM Switch



CS72U

2-Port USB VGA/Audio
KVM Switch



CS82U

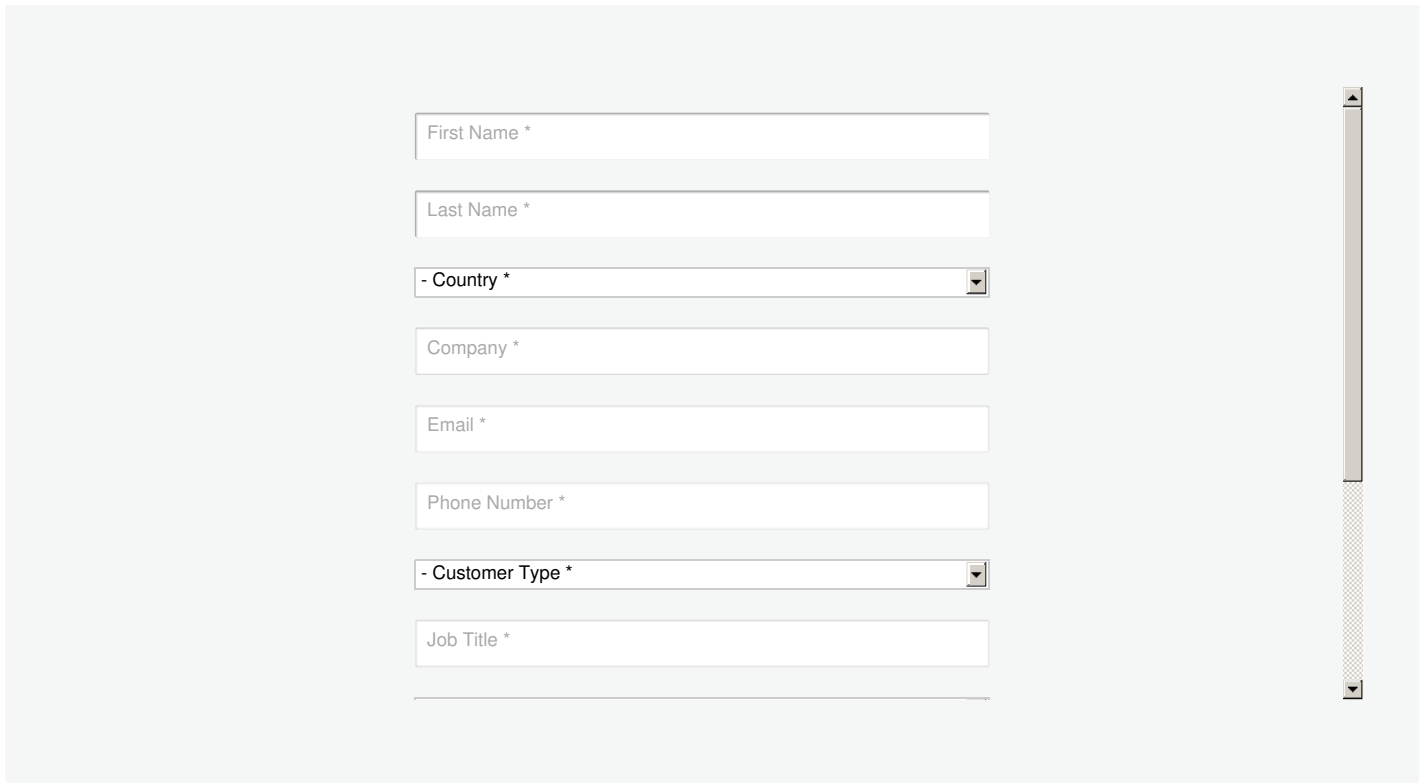
2-Port PS/2-USB VGA
KVM Switch

	CS22U	CS62U	CS72U	CS82U
Number of Computers	2			
Computer Interface	VGA			
Keyboard / Mouse	USB	USB	USB	PS/2, USB
Max. Resolution	2048 x 1536 ; DDC2B			
Port Selection	Remote Port Selector	Hotkey / Mouse	Pushbutton	Hotkey / Pushbutton / Mouse
KVM Cable Length	0.9 m	1.8 m	1.2 m*	1.2 m*
Speaker	-	•	•	-
Microphone	-	-	•	-

*The KVM cable sets are provided to connect the KVM switch to the PCs. KVM cables of 1.8 m, 3 m and 5 m lengths are also available for purchase.

Talk to Our Experts

If you prefer to have ATEN contact you, please complete the form and a representative will be in touch with you shortly



First Name *

Last Name *

- Country *

Company *

Email *

Phone Number *

- Customer Type *

Job Title *

Features

ATEN provides total USB KVM solution. CS62U links two USB computers to one USB console for a complete USB system compatible with all operating platforms, including Windows, Mac, Linux and Sun.

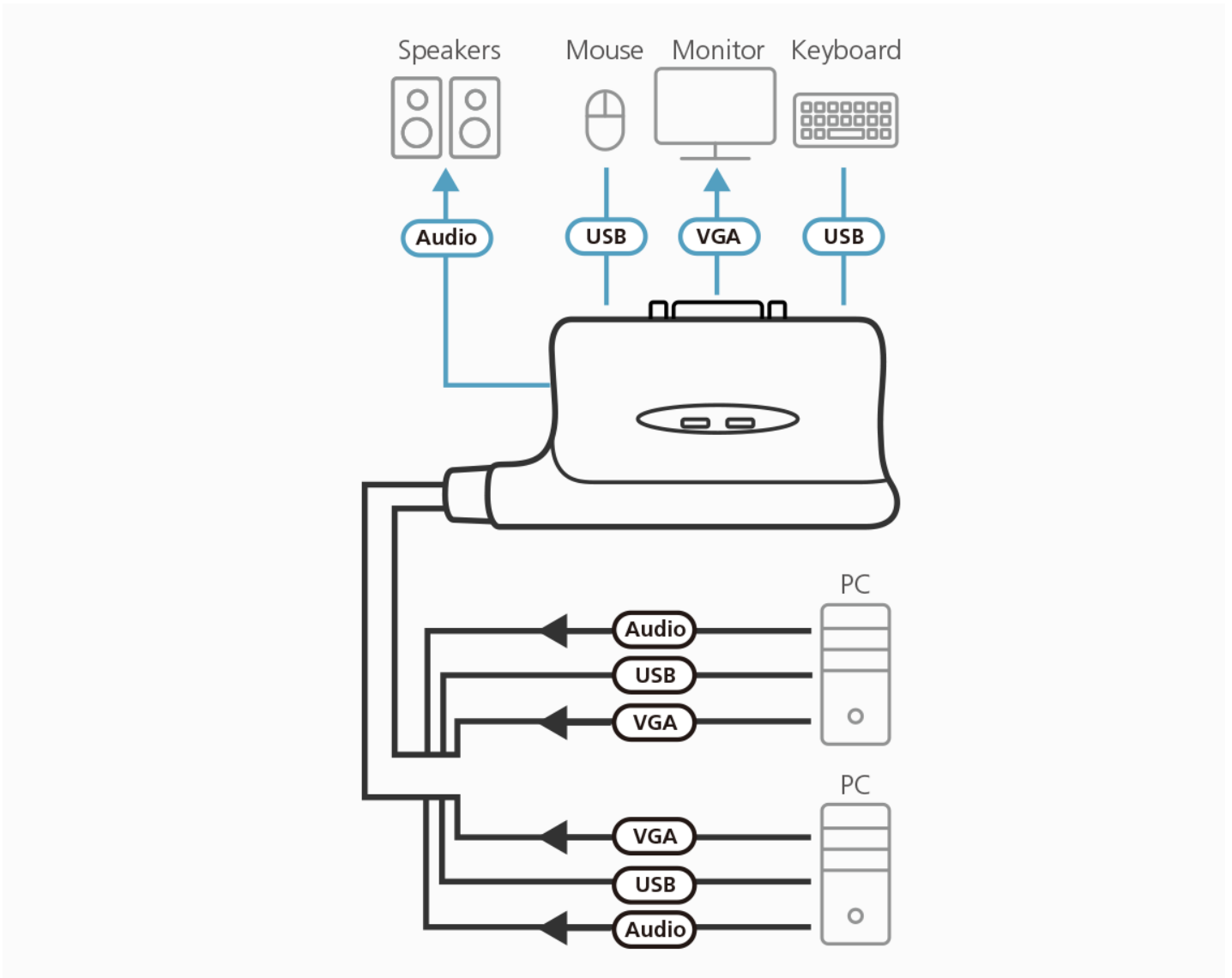
- One USB console controls two USB computers
- Compact design, built-in 1.8 m cables
- Hotkey selection for OS and keyboard languages
- Computer Selection via hotkey and USB mouse
- Multiplatform support – Windows, Linux, Mac, and Sun
- Video DynaSync™ – exclusive ATEN technology eliminates boot-up display problems and optimizes resolution when switching between ports
- Console mouse port emulation / bypass feature supports most mouse drivers
- USB mouse port can be used for USB hub and USB peripheral sharing*
- Supports gaming keyboards
- Supports multifunction and wireless keyboards and mice
- All-in-one design
- Supports speaker functions
- Superior video quality – up to 2048 x 1536 @ 60 Hz ; DDC2B
- Auto Scan function to monitor computer operation
- Bus-powered
- Sun/Mac keyboard support and emulation

* To use the USB mouse port as a USB hub, users must first disable mouse emulation mode.

Specification

Computer Connections	2
Port Selection	Hotkey, Mouse
Connectors	
Console Ports	1 x HDB-15 Female (Blue) 2 x USB Type A Female 1 x 3.5mm Audio Jack Female (Green)
KVM Ports	2 x HDB-15 Male (Blue) 2 x USB Type A Male 2 x 3.5mm Audio Jack Male (Green)
LEDs	
Selected	2 (Green)
Cable Length	
Computer	2 x 1.8 m
Emulation	
Keyboard / Mouse	USB
Video	2048 x 1536 @ 60Hz; DDC2B
Scan Interval	5 seconds
Power Consumption	DC5V:0.328W:6BTU/h Note: ● The measurement in Watts indicates the typical power consumption of the device with no external loading. ● The measurement in BTU/h indicates the power consumption of the device when it is fully loaded.
Environmental	
Operating Temperature	0 - 50°C
Storage Temperature	-20 - 60°C
Humidity	0-80% RH, Non-condensing
Physical Properties	
Housing	Plastic
Weight	0.37 kg (0.81 lb)
Dimensions (L x W x H)	8.75 x 6.08 x 2.80 cm (3.44 x 2.39 x 1.1 in.)
Note	For some of rack mount products, please note that the standard physical dimensions of WxDxH are expressed using a LxWxH format.

Diagram



ATEN International Co., Ltd.

3F, No.125, Sec. 2, Datong Rd., Sijhih District., New Taipei City 221, Taiwan
Phone: 886-2-8692-6789 Fax: 886-2-8692-6767
www.aten.com E-mail: marketing@aten.com



© Copyright 2015 ATEN® International Co., Ltd.
ATEN and the ATEN logo are trademarks of ATEN International Co., Ltd.
All rights reserved. All other trademarks are the property of their respective owners.