

CL1016

16-Port PS/2-USB VGA Single Rail LCD KVM Switch



The CL1016 LCD KVM Switch series are control units that allow access to multiple computers from a single keyboard, video, and mouse (KVM), console. A single CL1016 can control up to 16 computers. As many as 15 additional KVM switches can be daisy-chained to the [CL1008](#), so that up to 256 computers can all be controlled from a single KVM console.

The CL1016 offers a space-saving, streamlined approach to KVM switch technology by integrating a keyboard, 17" LED-backlit LCD monitor, and touchpad in a 1U rack-mountable sliding housing.

Note: Optional rack mount kits are available. For more information, refer to Compatible Accessories below.

CL1016M: 17" LCD

Features

- Exclusive LED illumination light - designed by ATEN to illuminate the keyboard and touchpad to allow visibility in low-light conditions
- KVM console with 17" LED-backlit LCD monitor in a sliding housing with top and bottom clearance for smooth operation in a 1U high system rack
- LCD module rotates up to 120 degrees for a more comfortable viewing angle
- Standard rack mount kit included - optional Easy Rack Mounting (single person installation) rack mount kit available (requires separate purchase)
- Daisy-chain up to 15 additional units - control up to 256 computers
- No software required - convenient computer selection via hotkeys and mouse driven intuitive on screen display (OSD) menus
- Auto Scan feature for monitoring user-selected computers
- Broadcast support - commands from the keyboard can be broadcast to all available computers on the installation
- Hot pluggable - add or remove computers without having to power down the switch
- Two level password security - only authorized users view and control the computers; up to four users plus an administrator with separate profiles for each
- Video settings of attached computers are automatically adjusted for optimal output to the LCD monitor
- Upgradable firmware
- Multiplatform support: Windows 2000/XP/Vista, Linux and FreeBSD
- Optional rack mount kits available including easy installation options
- Keyboard Language support: English (US), English (UK), French, German, German (Swiss), Hungarian, Italian, Japanese, Korean, Russian, Spanish, Swedish and Traditional Chinese

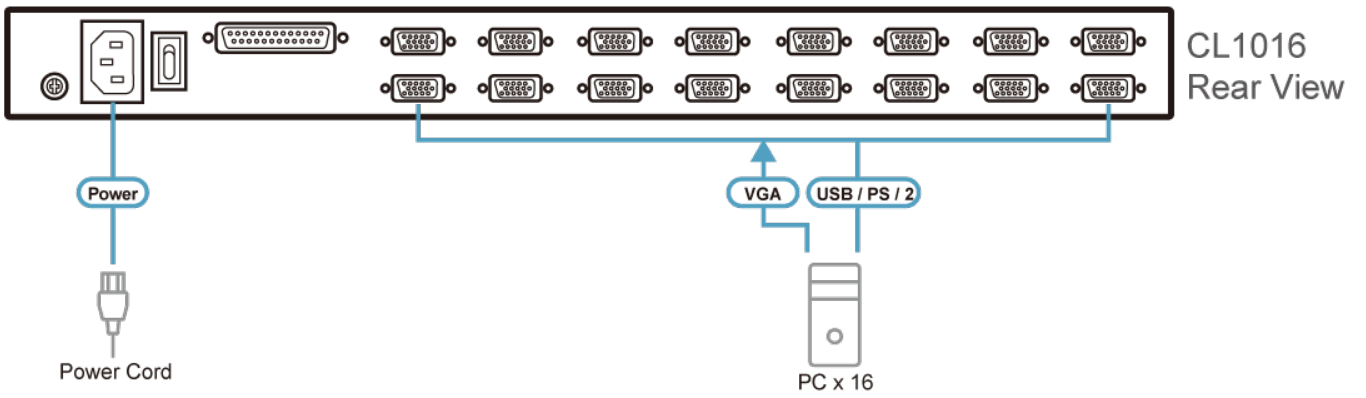
[More information about "Easy Rack Mounting"...](#)

Specification

Computer Connections	
Direct	16
Maximum	256 (via Daisy-chain)
Port Selection	OSD, Hotkey, Pushbutton
Connectors	
KVM Ports	16 x SPHD Female (Yellow)
Daisy Chain Ports	1 x DB-25 Male
Firmware Upgrade	1 x RJ-11 Female
Power	1 x IEC 60320/C14
Switches	
Port Selection	16 x Pushbutton

Reset	1 x Semi-recessed Pushbutton
Firmware Upgrade	1 x Slide Switch
Power	1 x Rocker Switch
LCD Control	4 x Pushbutton
LEDs	
Online	16 (Orange)
Selected	16 (Green)
Power	1 (Dark Green)
Lock	1 x Num Lock (Green) 1 x Caps Lock (Green) 1 x Scroll Lock (Green)
LED Illumination Light	1 x LED Illumination Light
Panel Spec	
LCD Module	17" TFT-LCD
Resolution	1280 × 1024 @ 75 Hz
Response time	5 ms
Viewing Angle	170° (H), 160° (V)
Pixel Pitch	0.264 mm x 0.264 mm
Support Color	16.77M colors
Contrast Ratio	1000 : 1
Luminance	250 cd/m ²
Video	
Input Video Resolution	up to 1920 × 1200 @ 60 Hz; 1280 × 1024 @ 75 Hz, DDC2B
Scan Interval	1-255 seconds
Emulation	
Keyboard / Mouse	PS/2, USB(via 2L-520xUP cables)
Maximum Input Power Rating	100-240V AC, 50-60 Hz, 1A
Power Consumption	AC110V:22.3W:105BTU/h AC220V:24.5W:115BTU/h Note: ● The measurement in Watts indicates the typical power consumption of the device with no external loading. ● The measurement in BTU/h indicates the power consumption of the device when it is fully loaded.
Environmental	
Operating Temperature	0-40°C
Storage Temperature	-20-60°C
Humidity	0 - 80% RH, Non-condensing
Physical Properties	
Housing	Metal + Plastic
Rail Type	Single Rail
Weight	13.55 kg (29.85 lb)
Dimensions (L x W x H)	48.00 x 64.02 x 4.40 cm (18.9 x 25.2 x 1.73 in.)
Note	For some of rack mount products, please note that the standard physical dimensions of WxDxH are expressed using a LxWxH format.

Diagram



ATEN International Co., Ltd.

3F., No.125, Sec. 2, Datong Rd., Sijhih District., New Taipei City 221, Taiwan
Phone: 886-2-8692-6789 Fax: 886-2-8692-6767
www.aten.com E-mail: marketing@aten.com



© Copyright 2015 ATEN® International Co., Ltd.
ATEN and the ATEN logo are trademarks of ATEN International Co., Ltd.
All rights reserved. All other trademarks are the property of their respective owners.