

VE1901AUST

DisplayPort HDBaseT-Lite Transmitter with US Wall Plate / PoH



The ATEN VE1901AUST DisplayPort HDBaseT-Lite transmitter delivers 4K signals up to 40 m over a single Cat 5e/6/6a or ATEN [2L-29330](#) Cat 6 cable, ensuring users to stabilize DisplayPort signal transmission with support of Deep Color and embedded HD lossless audio formats. During high-quality video transmission, the transmitter can resist signal interference with the equipped HDBaseT Anti-jamming technology and offer a reliable signal extension.

The VE1901AUST can be easily mounted in a 1-gang junction box with US wall plate, concealing bulky cable setups and presenting the needed information in sight. In addition, with built-in PoH (Power over HDBaseT) function, the VE1901AUST receives power supply from a connected PoH PSE (Power Source Equipment) supported receiver and streamlines complex power line deployment.

With the share function, the VE1901AUST can remotely switch source when connecting to a compatible receiver, e.g., [VP1421](#), bringing users for more convenient AV extension. This compact transmitter provides a neat and simple installation on walls or tables, enabling users to elegantly immerse their AV applications into any environment. Therefore, the VE1901AUST is ideal for use in meeting rooms, digital educational environments or any application requiring stable high-quality transmission and effortless installation.



Features

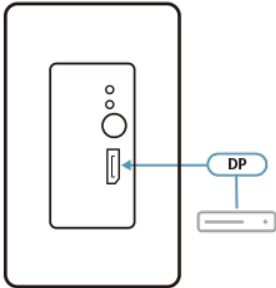
- Extends DisplayPort signals with superior video quality over a single Cat 5e/6/6a cable or ATEN [2L-29330](#) Cat 6 cable
 - 4K up to 40 m
 - 1080p up to 70 m
- Built-in PoH (Power over HDBaseT) function – the VE1901AUST receives power supply from the HDBaseT output port
- DisplayPort (Deep Color, 4K); HDCP compliant
- Designed to mount in a 1-gang junction box with US wall plate
- Supports RS-232 channel transmission
- HDBaseT Anti-jamming – resists signal interference during high-quality video transmission using HDBaseT technology
- Share function – the VE1901AUST can remotely switch source when connecting to a compatible receiver, e.g., [VP1421](#)
- LED indication of device status
- Built-in 8KV / 15KV ESD protection
- DC power and PoH for power redundancy
- Plug-and-play

Specification

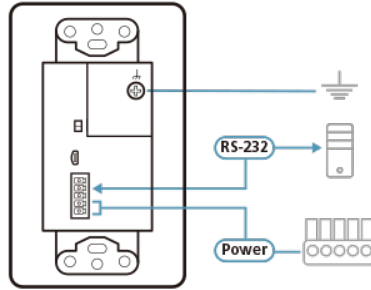
Video Input	
Interfaces	1 x DisplayPort Female (Black)
Impedance	100Ω
Max. Distance	3 m
Video	
Max. Data Rate	10.2Gbps (3.4Gbps per lane)
Max. Pixel Clock	297 MHz
Compliance	DisplayPort (Deep Color, 4K) HDCP Compliant
Max. Resolutions / Distance	Up to 4K@35m (Cat 5e/6) / 40m (HDBaseT Certified cable / ATEN's tailor-made HDBaseT cable); 1080p@60m (Cat 5e/6) / 70m (HDBaseT Certified cable / ATEN's tailor-made HDBaseT cable) *4K supported: 4096 x 2160 / 3840 x 2160 @ 30Hz (4:4:4)
Audio	
Input	1 x DisplayPort Female (Black)
Control	
RS-232 Channel	1 x Terminal Block (3 pole, TX/RX/GND, Green)
Contact Out	1 x Terminal Block (2 pole, DO/GND, Green)
Connectors	
Unit To Unit	1 x RJ-45 Female
Power	1 x Terminal Block (2 pole, +5V/GND, Green) or 1 x RJ-45 Female (POH)
Power Consumption	DC5V:2.97W:14BTU/h POH:3.71W:17BTU/h Note: ● The measurement in Watts indicates the typical power consumption of the device with no external loading. ● The measurement in BTU/h indicates the power consumption of the device when it is fully loaded.
Environmental	
Operating Temperature	0 - 40°C
Storage Temperature	-20 - 60°C
Humidity	0% - 80% RH, Non-condensing
Physical Properties	
Housing	Metal
Weight	0.21 kg (0.46 lb)
Dimensions (L x W x H)	10.41 x 4.44 x 5.00 cm (4.1 x 1.75 x 1.97 in.)
Faceplate Dimensions (L x W x H)	11.39 x 6.99 x 0.64 cm (4.48 x 2.75 x 0.25 in.)
Note	For some of rack mount products, please note that the standard physical dimensions of WxDxH are expressed using a LxWxH format.

Diagram

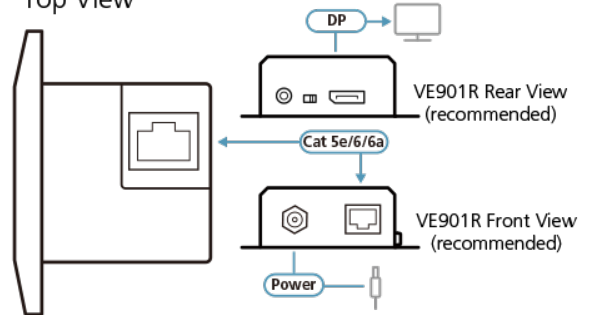
VE1901AUST
Front View



Rear View



Top View



ATEN International Co., Ltd.

3F, No.125, Sec. 2, Datong Rd., Sijhih District., New Taipei City 221, Taiwan
 Phone: 886-2-8692-6789 Fax: 886-2-8692-6767
 www.aten.com E-mail: marketing@aten.com



© Copyright 2015 ATEN® International Co., Ltd.
 ATEN and the ATEN logo are trademarks of ATEN International Co., Ltd.
 All rights reserved. All other trademarks are the property of their
 respective owners.