

VE805R

HDMI HDBaseT-Lite Receiver with Scaler (1080p@70m)
(HDBaseT Class B)



The VE805R HDMI HDBaseT-Lite Receiver with Scaler can be combined with ATEN HDMI HDBaseT products to extend a HDMI display up to 60 m from the HDMI source device using a single Cat 5e/6 cable or up to 70 m via a Cat 6a cable.

With a built-in scaler, the VE805R supports scaling the display of different video resolutions. When combined with the ATEN [VM8514](#) HDBaseT Output Board, it supports video wall integration and Seamless Switch™ functions. In addition, the VE805R is equipped with RS-232 and IR signalling pass-through, which allows RS-232 and IR channels to be controlled either from the remote to local unit or from the local to the remote unit, for bi-directional control of the source or display device.



Features

- HDBaseT connectivity – extends the connection between the [VM8514](#) HDBaseT outputs and an HDMI display over a long distance via single Cat 5e/6/6a cable
- HDBaseT Anti-jamming – resists signal interference during high quality video transmissions using HDBaseT technology
- Bi-directional RS-232 channel¹ – allows you to connect to serial terminals or serial devices, such as touch screens and barcode scanners
- Scaler – features a scaling function to integrate a video wall seamlessly with various output formats
- Seamless Switch™ – close-to-zero second switching that provides continuous video streams, real-time switching and stable signal transmissions²
- Video Wall – features configurable Video Wall profiles available for custom screen layouts via simple point-n-click web GUI²
- Bi-directional IR channel – IR transmission is processed one direction at a time³
- Rack-mountable

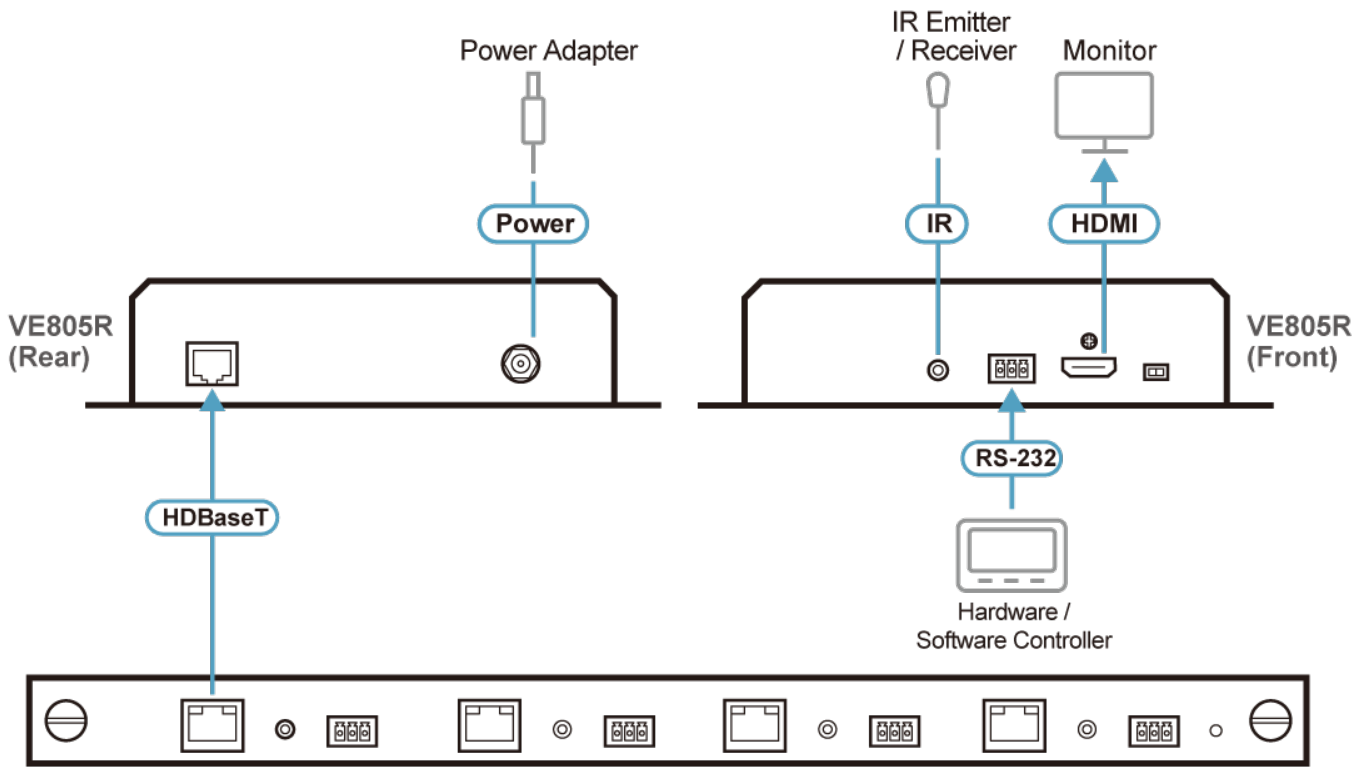
Note:

1. Bi-directional RS-232 channel only available when VE805R is used with the [VM8514](#).
2. The Seamless Switch™ and Video Wall functions are available when the VE805R is used with the [VM8514](#).
3. Supports full frequency IR signals from 30KHz to 60KHz; however the IR receiver cable included with the package only supports 30KHz to 56 KHz.

Specification

Video Input	
Interfaces	1 x RJ-45 Female (Silver)
Impedance	100 Ω
Video Output	
Interfaces	1 x HDMI Type A Female (Black)
Impedance	100 Ω
Max. Distance	3 m
Video	
Max. Data Rate	6.75 Gbps (2.25 Gbps per lane)
Max. Pixel Clock	225 MHz
Compliance	HDMI (3D, Deep Color) HDCP 1.4 Compatible HDBaseT Compatible
Max. Resolutions / Distance	Up to 1080p @60m (Cat 5e/6); 70m (Cat 6a)
Control	
RS-232	1 x Captive Screw Connector, 3 Pole
IR	1 x Mini Stereo Jack Female (Black)
Connectors	
Power	1 x DC Jack (Silver)
Switches	
Firmware Upgrade	1 x Slide Switch
Power Consumption	DC5V:8.36W:39BTU/h Note: <ul style="list-style-type: none"> ● The measurement in Watts indicates the typical power consumption of the device with no external loading. ● The measurement in BTU/h indicates the power consumption of the device when it is fully loaded.
Environmental	
Operating Temperature	0 - 50°C
Storage Temperature	-20 - 60°C
Humidity	0 - 80% RH, Non-Condensing
Physical Properties	
Housing	Metal
Weight	0.81 kg (1.78 lb)
Dimensions (L x W x H)	17.74 x 16.92 x 4.20 cm (6.98 x 6.66 x 1.65 in.)
Note	For some of rack mount products, please note that the standard physical dimensions of WxDxH are expressed using a LxWxH format.

Diagram



Output Board (e.g. VM8514) on Modular Matrix Switch (e.g. VM1600A)

ATEN International Co., Ltd.

3F, No. 125, Sec. 2, Datong Rd., Sijhih District., New Taipei City 221, Taiwan
 Phone: 886-2-8692-6789 Fax: 886-2-8692-6767
 www.aten.com E-mail: marketing@aten.com

© Copyright 2015 ATEN® International Co., Ltd.
 ATEN and the ATEN logo are trademarks of ATEN International Co., Ltd.
 All rights reserved. All other trademarks are the property of their respective owners.