

VM3200

32x32 Modular Matrix Switch



reddot award 2015
winner interface design



The VM3200 Modular Matrix Switch offers advanced access and real-time control of multiple local and remote A/V input devices and displays from a single chassis. The VM3200 allows users to independently switch and route video and/or audio content directly to various monitors, displays, projectors, and/or speakers simply by pressing front panel pushbuttons. A built-in Scaler encodes the video format in order to provide seamless, real-time switching. The front panel LCD shows a quick view of active port connections. The switch also includes an option to select an EDID Mode that yields the best resolution across different monitors.

The VM3200 is easily expandable and accommodates a lineup of hot-swappable ATEN I/O boards. Equipped with automatic signal conversion, it allows various combinations of digital video interfaces, including HDBaseT, DisplayPort, HDMI, DVI, 3G-SDI, and VGA. This makes it ideal for large-scale A/V applications such as broadcasting stations, traffic and transportation-related control rooms, emergency service centers, and any application that requires customizable, high-speed A/V signal routing.



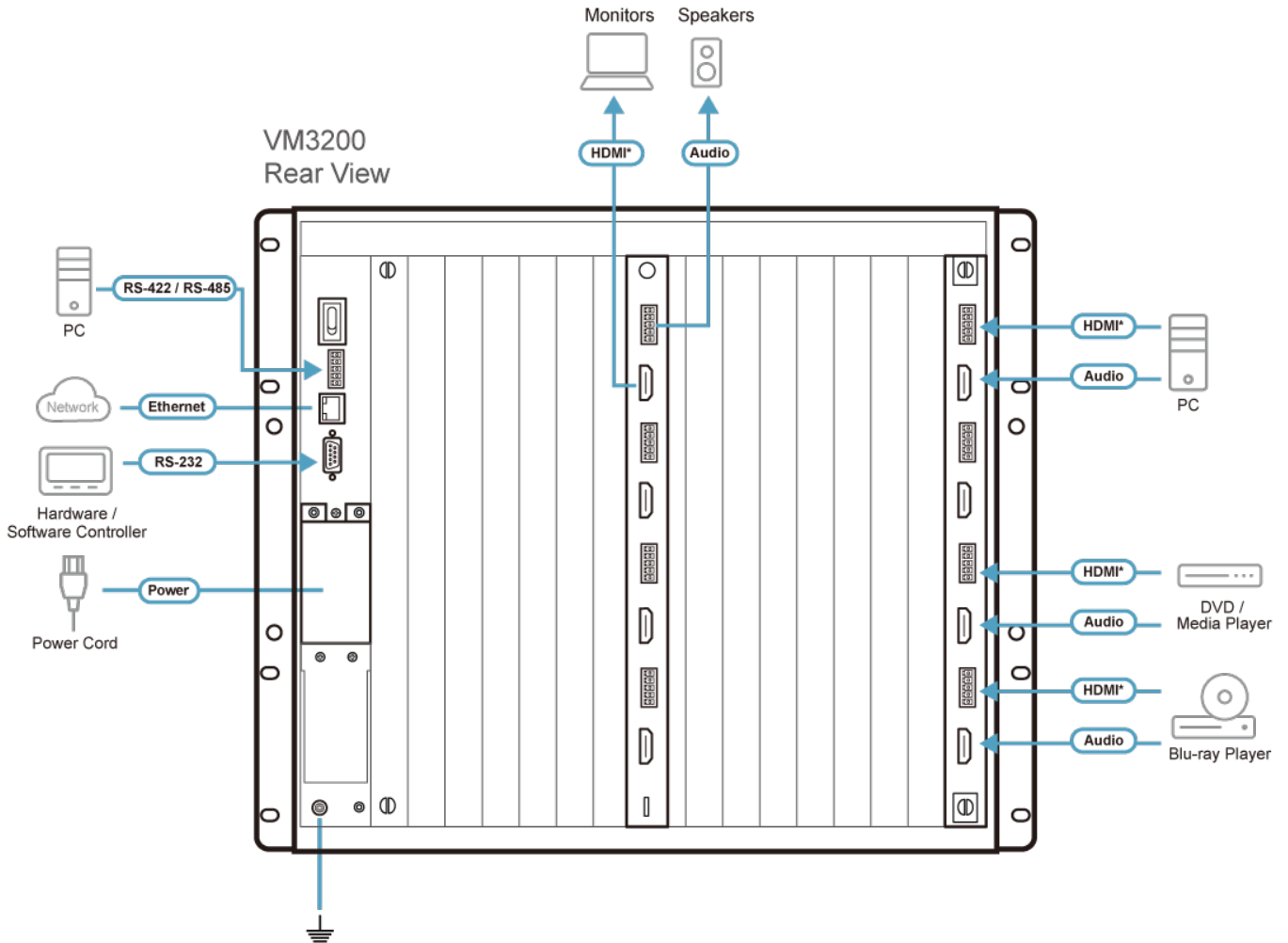
Features

- Connects any of 32 video sources to any of 32 displays in combination with ATEN Modular Matrix Solutions
 - **Supports 4K resolutions** – up to UHD (3840 x 2160) and DCI (4096 x 2160) with refresh rates of 30 Hz (4:4:4) and 60 Hz (4:2:0)
 - **Scaler** – features a video scaling function to convert input resolutions to the optimum display resolutions
 - **Seamless Switch™** – features close-to-zero second switching that provides continuous video streams, real-time switching and stable signal transmissions*
 - **Video Wall** – allows you to create custom video wall layouts via intuitive web GUI
 - **Live Streaming** – supports single source live streaming via web GUI for convenient evaluation of display output
 - **Content and Layout Preview** – displays thumbnails of source media in web GUI, simplifying profile configuration
 - **EDID Expert™** – selects optimum EDID settings for smooth power-up, high-quality display and use of the best resolution across different screens
 - **Audio-enabled** – HDMI audio can be extracted, and stereo audio can be embedded (HDMI I/O boards)
 - **Calendar-based scheduling** – allows profile playing based on the pre-set schedule and RTC
 - Multiple Control Methods – system management via front-panel pushbuttons, RS-232, RS-485/422, and Ethernet (Telnet / Web GUI) connections
 - View and control via [ATEN Video Matrix Control App](#) in a swift and agile way
 - Hot-swappable design for I/O boards, fan module, and power supplies for easy maintenance and higher reliability
 - Flexible system expandability via hot-swappable tool-free installation of I/O boards
 - Enables power supply via HDBaseT with installation of I/O boards and power injectors ([VE44PB](#) recommended), eliminating the need for separately installing power infrastructures to save overall cost
 - **Optional redundant power supply** – ensures reliability for mission-critical applications
 - Long-Reach mode up to 1080p@150m – enables extended AV transmission using the HDBaseT™ Input/Output board with ATEN HDBaseT™ Class A Video Extenders
 - HDCP 2.2 Compatible*
 - HDMI: 3D, Deep Color, 4K*
 - Consumer Electronics Control (CEC) supported*
 - ESD protection for HDMI
 - Rack mountable (9U design)
- Note:
1. The availability of the features with "*" depends on which I/O board is inserted.
 2. When Seamless Switch™ is enabled, 3D, Deep Color, or interlace (i.e., 1080i) formats will not be supported. To use these formats, make sure to disable Seamless Switch™.
 3. Videos may not display within range when Seamless Switch™ or Video Wall is enabled, in which case please adjust the display settings on your device.

Specification

Board Input	8 x Slot
Board Output	8 x Slot
Video Input	
Interfaces	Depends on which I/O board is inserted
Max. Data Rate	15.2 Gbps (3.8Gbps per Lane)
Audio	
Input	Depends on which Input board is inserted
Output	Depends on which Output board is inserted
Control	
RS-232	Connector: 1 x DB-9 Female (Black) Serial Control Pin Configurations: Pin2 = Tx, Pin 3=Rx, Pin 5= Gnd Baud Rate and Protocol: Baud Rate:19200, Data Bits:8, Stop Bits:1, Parity: No, Flow Control: No
RS-485/RS-422	Connector: 1 x Captive Screw Connector, 5 Pole
Ethernet	Connector: 1 x RJ-45 Female
EDID Settings	EDID Mode: Default / Port1 / Remix / Customized (EDID Wizard support)
Connectors	
Power	1 x 3-Prong AC Socket
Power	
Maximum Input Power Rating	100-240 VAC; 50-60Hz; 10A
Power Consumption	AC110V:800W:239BTU/h AC220V:800W:236BTU/h Note: <ul style="list-style-type: none"> ● The measurement in Watts indicates the typical power consumption of the device with no external loading. ● The measurement in BTU/h indicates the power consumption of the device when it is fully loaded.
Environmental	
Operating Temperature	0 - 40°C
Storage Temperature	-20 - 60°C
Humidity	0 - 80% RH, Non-Condensing
Physical Properties	
Housing	Metal
Dimensions (L x W x H)	48.20 x 47.19 x 39.90 cm (18.98 x 18.58 x 15.71 in.)
Weight	18.20 kg (40.09 lb)
Rack Height (U Spaces)	9U
Carton Lot	1 pc
Note	For some of rack mount products, please note that the standard physical dimensions of WxDxH are expressed using a LxWxH format.

Diagram



* The video interface differs depending on the I/O board that installed.

ATEN International Co., Ltd.

3F., No.125, Sec. 2, Datong Rd., Sijhih District., New Taipei City 221, Taiwan
 Phone: 886-2-8692-6789 Fax: 886-2-8692-6767
 www.aten.com E-mail: marketing@aten.com



© Copyright 2015 ATEN® International Co., Ltd.
 ATEN and the ATEN logo are trademarks of ATEN International Co., Ltd.
 All rights reserved. All other trademarks are the property of their respective owners.