

## KH2508A

2-Console 8-Port Multi-Interface (DisplayPort, HDMI, DVI, VGA) Cat 5 KVM Switch



The KH2508A KVM switch is a control unit that allows IT administrators to access and control multiple computers from two PS/2 or USB KVM consoles (two bus). Operators working at up to two consoles can independently and simultaneously take control of up to 8 computers. By daisy chaining up to 15 additional switches, as many as 128 computers can be controlled from the original KVM consoles.

This switch has been designed with unique and powerful features that enable administrators to manage their entire server room and [data center](#) devices easily and conveniently.

For example, the advanced Adapter ID feature stores the Adapter Cable's configuration information – such as its ID, port name, OS, keyboard language, etc. This feature allows administrators to relocate servers to different ports without having to reconfigure the adapters. Another advantage found in these switches is Full HD video quality – extending the distance to the servers to up to 30 m at a resolution of 1920 x 1200\*.

In addition, the switches are compatible with ATEN KVM adapter cable. This allows flexible interface combinations (PS/2, USB with VGA, DVI, HDMI and DisplayPort video interface, Sun and serial) to control all computer types.

A KH2508A installation provides one of the best, and most economical, solutions ATEN offers to the SMB market. There is no better way to save time, space, and money than with a KH2508A KVM switch.

Note:  
 \*The video quality of KH2508A has been enhanced to Full HD. To distinguish between the non-FHD and FHD versions, please refer to below link: [FHD & Non-FHD Comparison Photo](#).  
 \*The KH2508A does not support [virtual media](#) even when paired with a [virtual media](#)-enabled KVM adapter.

### Features

- Two KVM consoles independently and simultaneously control up to 8 directly connected computers
- By daisy chaining up to 15 additional KH2508A switches, as many as 128 computers can be controlled from the original KVM console
- Console conversion – any type of KVM console can control any type of computer; mixed combinations (PS/2&USB) supported on both the KVM console and computer sides
- **Superior Video Quality- Supports the video resolutions up to 1920 x 1200 @60Hz for up to 30 meters, 1600 x 1200 @60Hz for up to 40 meters, and 1280 x 1024 @75Hz for up to 50 meters\***
- OSD Backup/Restore feature – enables the administrator to back up the switch's configuration and user profile information
- Configure port access rights for users on a port - by - port basis
- Diversified port operation mode enables flexible computer management – Occupy, Exclusive and share modes
- Three port selection methods: Manual (via front panel pushbuttons), Hotkey, and multi-language OSD (On Screen Display)
- Multiplatform support – Windows, Linux, Mac and Sun
- Compatible with ATEN KVM adapter cables – allows flexible interface combinations (PS/2, USB with VGA, DVI, HDMI and DisplayPort video interface, Sun and serial) to control all computer types
- Multiple User Accounts -Supports up to 10 user and 1 administrator accounts
- Two-Level Password Security – Supports one administrator and ten user profiles. Password protection prevents unauthorized accessing to the installation
- Auto Scan mode enables continuous monitoring of user-selected computers
- Broadcast Mode sends commands from the console to all computers – allowing you to perform operations (such as software installation, upgrades, shutdowns, etc.), on them simultaneously
- Adapter ID
- Firmware Upgradeable

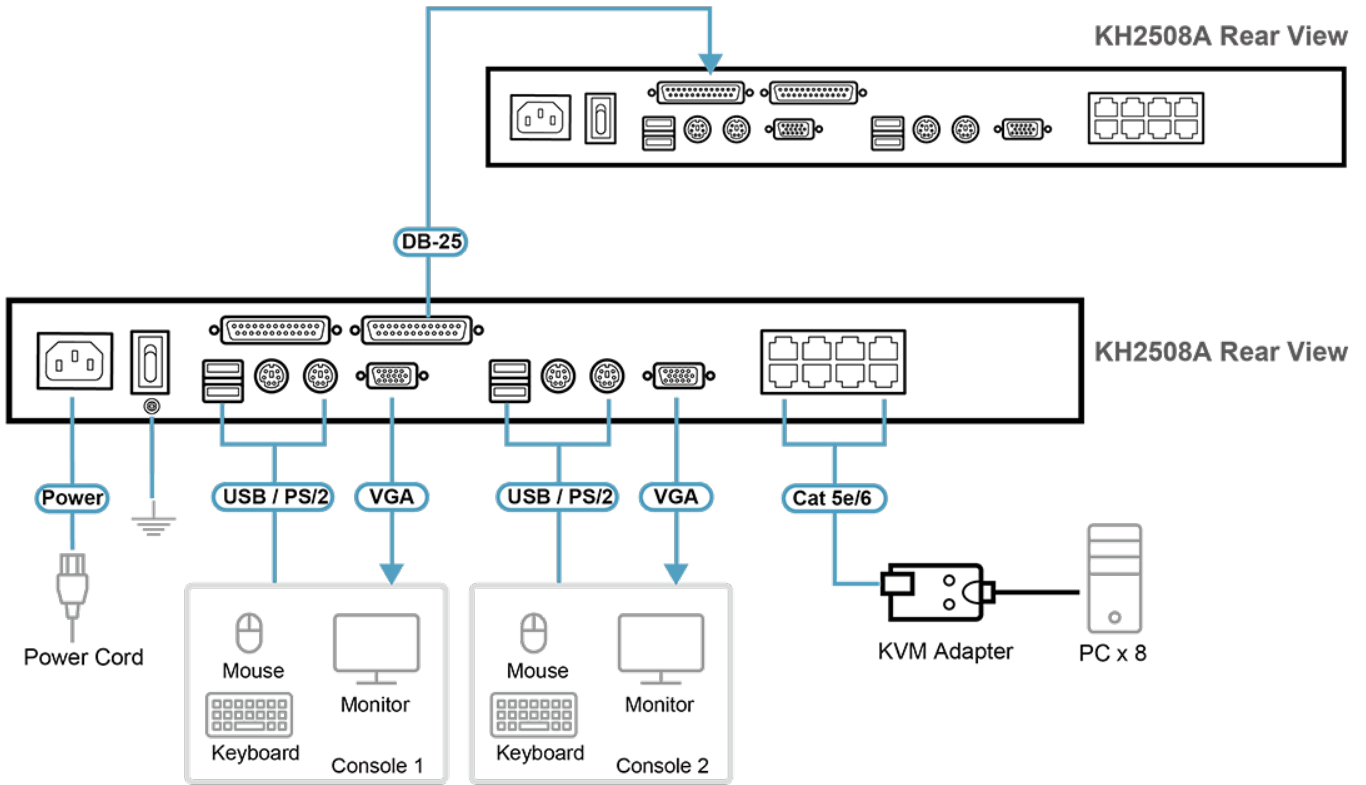
\*With KVM Adapter Cable KA7000 series.

### Specifications

Computer Connections	
Direct	8
Maximum	128 (via Daisy-chain)
Port Selection	OSD, Hotkey, Pushbutton
Connectors	

Console Ports	4 x USB Type A Female 2 x 6-pin Mini-DIN Female (Purple) 2 x 6-pin Mini-DIN Female (Green) 2 x HDB-15 Female (Blue)
KVM Ports	8 x RJ-45 Female
Daisy Chain Ports	1 x DB-25 Female (Black) 1 x DB-25 Male (Black)
Firmware Upgrade	1 x RJ-11 Female
Power	1 x IEC 60320/C14
Switches	
Port Selection	8 x Pushbutton
Console Selection	2 x Pushbutton
Reset	1 x Semi-recessed Pushbutton
Firmware Upgrade	1 x Slide
Power	1 x Rocker
LEDs	
Online	8 (Green)
Selected	8 (Orange)
Console	2 (Orange)
Power	1 (Blue)
Station ID	1 x 7-segment LED display (Orange)
Emulation	
Keyboard / Mouse	PS/2; USB
Scan Interval	1-255 Seconds
Video	1920 x 1200 @ 60 Hz (30 m); 1600 x 1200 @ 60 Hz (40 m); 1280 x 1024 @ 75 Hz (50 m)
Maximum Input Power Rating	100–240 VAC; 50/60 Hz; 1A
Power Consumption	AC110V:8.5W:57BTU/h AC220V:9.3W:61BTU/h  Note: <ul style="list-style-type: none"> <li>● The measurement in Watts indicates the typical power consumption of the device with no external loading.</li> <li>● The measurement in BTU/h indicates the power consumption of the device when it is fully loaded.</li> </ul>
Environmental	
Operating Temperature	0-50°C
Storage Temperature	-20-60°C
Humidity	0-80% RH, Non-condensing
Physical Properties	
Housing	Metal
Weight	2.81 kg ( 6.19 lb )
Dimensions (L x W x H)	43.72 x 15.58 x 4.40 cm (17.21 x 6.13 x 1.73 in.)
Note	For some of rack mount products, please note that the standard physical dimensions of WxDxH are expressed using a LxWxH format.

Diagram



**ATEN International Co., Ltd.**

3F., No.125, Sec. 2, Datong Rd., Sijhih District., New Taipei City 221, Taiwan  
 Phone: 886-2-8692-6789 Fax: 886-2-8692-6767  
 www.aten.com E-mail: marketing@aten.com



© Copyright 2015 ATEN® International Co., Ltd.  
 ATEN and the ATEN logo are trademarks of ATEN International Co., Ltd.  
 All rights reserved. All other trademarks are the property of their respective owners.