

## CS1922ATC

2-Port USB 3.0 4K DisplayPort KVMP™ Switch for ATC



The ATEN CS1922ATC 2 Port USB 3.0 4K DisplayPort [KVMP™](#) Switch for ATC is tailor-made for Air Traffic Control scenarios. It supports 2Kx2K resolution, making it perfect for radar monitoring, and also enables constant monitoring of flight information and mission-critical processes.

The Zero-Second Switch function ensures nearly real-time switching without any black screens, providing air traffic controllers instant access to two USB / DisplayPort-interfaced ATC computers for crucial operations. Port switching is flexible via pushbuttons, hotkeys, mouse, RS-232 commands, or an optional accessory the remote port selector.

With two lockable DC jacks for power redundancy, the CS1922ATC ensures uninterrupted operation and constant availability for mission-critical applications. It aims to greatly minimize or eliminate the risk of downtime.

Patented ATEN technology – [Video DynaSync™](#), and EDID expert™, combined with [DisplayPort 1.2](#) and video resolutions up to 4K @ 60 Hz, it delivers optimized display resolution with exceptional detail and clarity in all conditions.

The CS1922ATC creates a safer environment and enhanced operational efficiency for Air Traffic Control Towers, Approach Control Rooms, and Area Control Centers, specifically tailored the air traffic control industry.



### Features

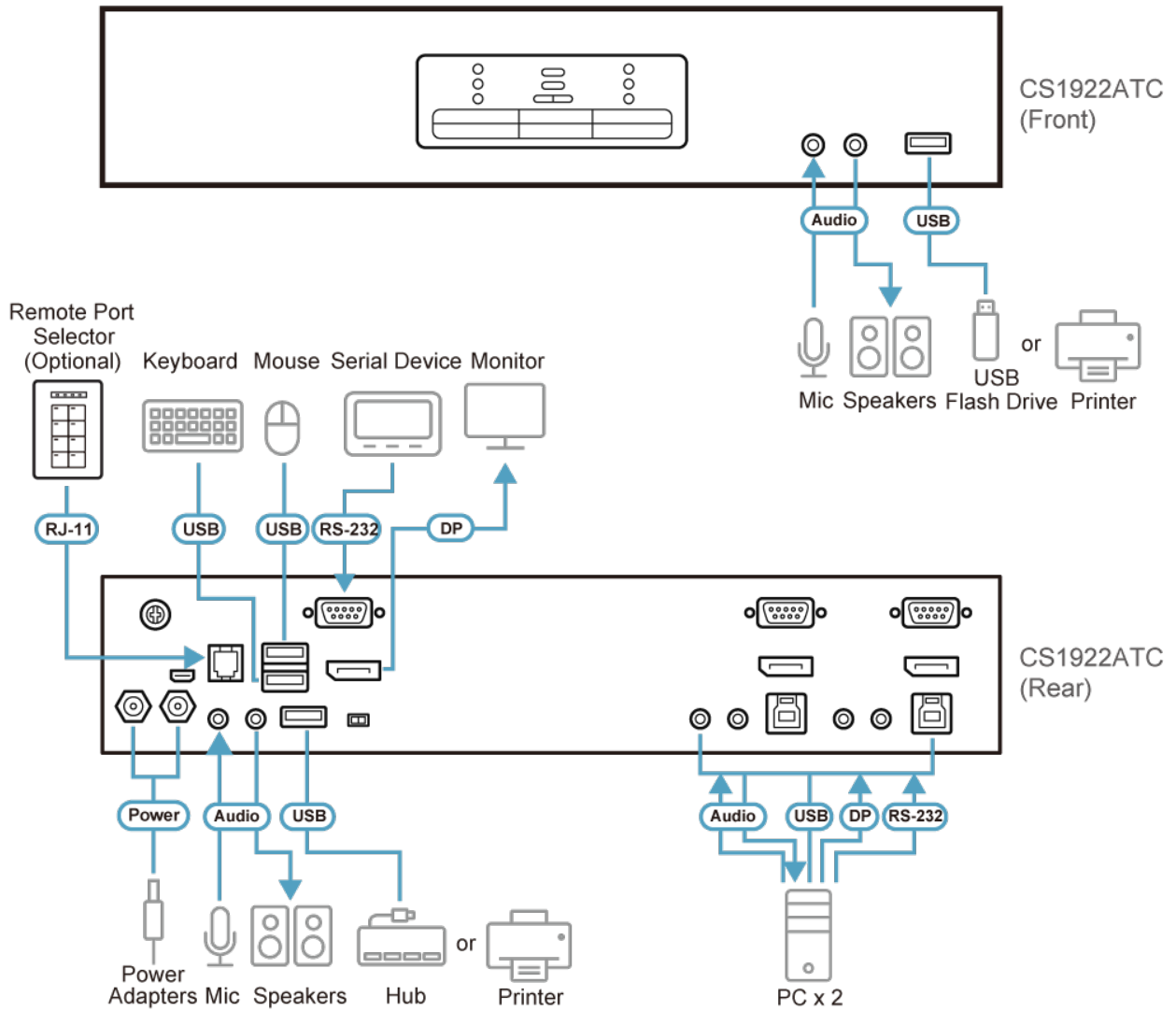
- One USB / DisplayPort console controls 2 DisplayPort computers and shares 2 USB peripherals
- Supports 2048 x 2048 @ 60 Hz screen resolutions dedicated for radar monitoring; maximum resolution up to 4096 x 2160 @ 60 Hz
- Zero-Second Switch – provides continuous video stream and real-time switching
- Supports power failover – 2 lockable DC jacks for power redundancy to ensure constant availability for mission-critical applications
- Supports serial port switching for legacy devices, maintaining compatibility with existing device interfaces
- Computer Selection via front panel pushbuttons, hotkeys, mouse, RS-232 commands, and remote port selector
- Video DynaSync™ – exclusive ATEN technology eliminates boot-up display problems and optimizes resolutions when switching between ports
- EDID Expert™ – smooth power-up, high-quality display and use of the best video resolution across different screens
- Built-in 2-port USB 3.1 Gen 1 hub with SuperSpeed 5 Gbps data transfer rates
- DisplayPort 1.2, and HDCP compliant
- Supports HD audio\*
- Console mouse port emulation / bypass feature supports most mouse drivers and multifunction mice
- Console keyboard emulation / bypass feature supports most multimedia keyboards
- Multilingual keyboard mapping – supports English, French, Japanese, and German keyboards
- Power on detection
- Auto scan
- Firmware upgradable

Note: HD audio through DisplayPort cannot be switched independently

**Specifications**

Computer Connections	2
Port Selection	Hotkeys, Pushbutton, Mouse, RS232 commands, Remote Port Selector
Connectors	
Console Ports	2 x USB Type A Female (Black) 1 x DisplayPort Female (Black) 2 x 3.5mm Stereo Jack Female (Green; 1 x front, 1 x rear) 2 x 3.5mm Stereo Jack Female (Pink; 1 x front, 1 x rear) 1 x DB-9 Male
KVM (Computer) Ports	2 x USB3.1 Gen1 Type B Female (Blue) 2 x DisplayPort Female (Black) 2 x 3.5mm Audio Jack Female (Green) 2 x 3.5mm Audio Jack Female (Pink) 2 x DB-9 Female
Power	2 x Lockable DC Jack
USB Hub	2 x USB3.1 Gen1 Type A Female (Blue; 1 x front panel; 1 x rear panel)
Remote Port Selector	1 x RJ-11 Female
Firmware Upgrade	1 x micro USB Female
Switches	
Selected	3 x Pushbutton
LEDs	
USB Link	2 (Green)
Audio	2 (Green)
KVM	2 (Orange)
Emulation	
Keyboard / Mouse	USB
Video	Up to 4096 x 2160 @ 60Hz
Power Consumption	DC12V:16.09W:134BTU/h  Note: ● The measurement in Watts indicates the typical power consumption of the device with no external loading. ● The measurement in BTU/h indicates the power consumption of the device when it is fully loaded.
Environmental	
Operating Temperature	0-50°C
Storage Temperature	-20-60°C
Humidity	0-80% RH, Non-condensing
Physical Properties	
Housing	Metal
Weight	1.86 kg ( 4.1 lb )
Dimensions (L x W x H)	33.50 x 16.10 x 6.55 cm (13.19 x 6.34 x 2.58 in.)
Note	For some of rack mount products, please note that the standard physical dimensions of WxDxH are expressed using a LxWxH format.

Diagram



**ATEN International Co., Ltd.**

3F., No.125, Sec. 2, Datong Rd., Sijhih District., New Taipei City 221, Taiwan  
 Phone: 886-2-8692-6789 Fax: 886-2-8692-6767  
 www.aten.com E-mail: marketing@aten.com



© Copyright 2015 ATEN® International Co., Ltd.  
 ATEN and the ATEN logo are trademarks of ATEN International Co., Ltd.  
 All rights reserved. All other trademarks are the property of their respective owners.