

## KL1516Ai

1-Local/Remote Shared Access 16-Port Multi-Interface Cat 5 Dual Rail LCD KVM over IP switch



The KL1516Ai Dual Rail [LCD KVM Switch](#) is a control unit that allows secure access up to 16 computers from a single KVM (keyboard, video, and mouse) console. It consists of an integrated LCD monitor, keyboard, and touchpad in a 1U rack-mountable retractable sliding housing.

The LCD and keyboard/touchpad modules slide independently of each other. To maximize space in your [data center](#), the keyboard/touchpad module slides back to “hide away” when not in use, while the thin profile LCD monitor rotates back – flush against the rack – allowing convenient monitoring of computer activity.

The KL1516Ai features IP-based connectivity that allows local and remote operators to monitor and access the computers on your installation. Because it uses TCP/IP for its communications protocol, the KL1516Ai can be accessed from any computer on the LAN, WAN, or Internet – whether that computer is located down the hall, down the street, or halfway around the world.

Compact, high-density, RJ-45 connectors and Cat 5e/6 cable make for a compact, efficient, wiring configuration, while the use of KVM Adapters to link to the computers, permits any combination of PCs, Macs, Sun computers, and serial devices to coexist on the installation.

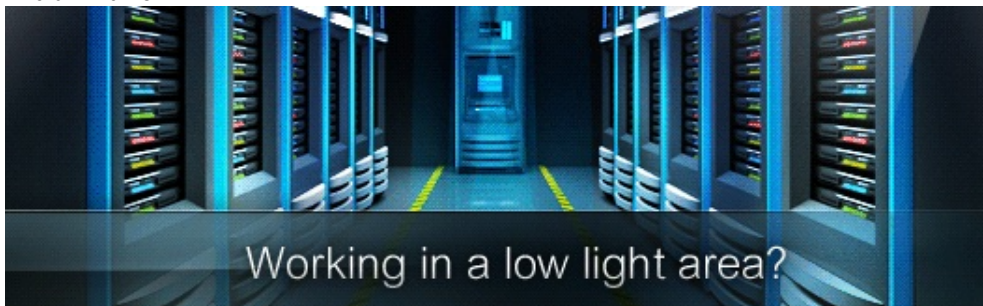
For added convenience, ports for an external keyboard, monitor, and mouse are provided on the rear panel – permitting you to manage the switch from a local console. There is also an external USB mouse port on the keyboard module, allowing you to use an external mouse, rather than the touchpad.

Enhanced features include a [Panel Array Mode™](#) that displays the video output of up to 16 computers at the same time, and a Message Board that allows logged in users to conveniently and instantly communicate with one other – no matter where in the world they actually are. The KL1516Ai is an ideal solution for your server room management.

**Note:**

1. The input video resolution of KL1516Ai has been enhanced to Full HD. To distinguish between the non-FHD and FHD versions, please refer to below link: [KL1516AiM FHD & Non-FHD Comparison Photo](#) or [KL1516AiN FHD & Non-FHD Comparison Photo](#).
2. The KL1516Ai does not support [virtual media](#) even when paired with a [virtual media](#)-enabled KVM adapter.
3. Optional rack mount kits are available. For more information, refer to Compatible Accessories below.

**KL1516AiM: 17" LCD**  
**KL1516AiN: 19" LCD**



**Features**

**Hardware**

- Exclusive LED illumination light – designed by ATEN to illuminate the keyboard and touchpad to allow visibility in low-light conditions
- Integrated KVM console with 17" or 19" LED-backlit LCD monitor in a Dual Rail housing
- A single console controls up to 16 computers
- Daisy chain up to 15 additional KVM switches to control up to 256 computers <sup>1</sup>
- One bus for remote KVM over IP access
- Space-saving RJ-45 connectors and Cat 5e/6 cabling
- KVM adapters designed with automatic conversion to allow flexible interface combinations (PS/2, USB, Sun and serial) to control all computer types
- Extra console port – manage computers in the [LCD KVM switch](#) from an external console (monitor, USB or PS/2 keyboard, and USB or PS/2 mouse)
- Multiplatform support: PC, Mac, Sun and Serial
- Supports external USB mouse
- Dual Rail housing is slightly less than 1U with top and bottom clearance for smooth operation in 1U of rack space
- Dual Rail – LCD monitor slides independently of the keyboard/touchpad
- LCD module rotates up to 120 degrees for a more comfortable viewing angle
- Console lock – enables the console drawer to remain securely locked away in position when not in use
- LCD power button helps save energy and prolong displays' life
- Superior Video Quality – supports input video resolutions up to 1920 x 1200 @ 60Hz <sup>2</sup> up to 30 meters, 1600 x 1200 @ 60Hz up to 40 meters, and 1280 x 1024 @ 75Hz up to 50 meters
- Optional rack mount kits available including easy installation options

Note:

1. Compatible KVM switches: [KH1508A](#) / [KH1516A](#), [ACS1208A](#), [CS1708A](#) / [CS1716A](#)
2. With KVM Adapter KA71xx or KA75xx series; please check the product label to ensure it's the FHD version

**Management**

- Up to 64 user accounts
- Up to 32 concurrent logins
- End session feature – administrators can terminate any running session
- Adapter ID – stores port information allowing administrators to relocate servers to different ports, without having to reconfigure the adapters and switch
- [Port Share Mode](#) allows multiple users to gain access to a server simultaneously
- Remote power control for attached Power Over the NET™ devices
- Integration with ATEN [CC2000](#) Management software
- Event logging and Windows-based Log Server support
- Local Log Event
- Firmware upgradeable
- IPv6 capable

**Easy-to-Use Interface**

- Easy computer selection via pushbuttons, Hotkey Mode, OSD (OnScreen Display), and Browser-based GUI
- Local Console, Browser, and AP GUIs offer a unified multi language interface to minimize user training time and increase productivity
- Multiplatform client support (Windows, Mac OS X, Linux, Sun)
- Multi-browser support: Internet Explorer, Chrome, Firefox, Safari, Opera, Edge
- Browser-based UI in pure Web technology allows administrators to perform administrative tasks without the need for Java to be pre-installed
- Panel Array Mode™
- Keyboard broadcast\* – keyboard input can be duplicated on all the attached servers

Note: Local Console only

**Advanced Security**

- Remote authentication support: RADIUS, LDAP, LDAPS, and MS Active Directory
- Supports TLS 1.2 encryption and RSA 2048-bit certificates to secure users log in from browser
- Flexible encryption design allows users to choose any combination of DES, 3DES, AES, RC4, or Random for independent Keyboard/Mouse and video data encryption
- IP/MAC Filter support for enhanced security protection
- Configurable user and group permissions for server access and control

**Virtual Remote Desktop**

- Video quality and video tolerance can be adjusted to optimize data transfer speed; monochrome color depth setting, threshold and noise settings for compression of the data bandwidth in low bandwidth situations
- Full-screen or sizable and scalable Virtual Remote Desktop
- [Message board feature](#) allows logged in users to communicate with each other
- Mouse DynaSync™ – automatically synchronizes the local and remote mouse movements
- On-screen keyboard with multi language support
- BIOS-level access
- Keyboard Language support: English(US); English(UK); French, German, German(Swiss), Greek, Hungarian, Italian, Japanese, Korean, Russian, Spanish, Swedish, Traditional Chinese and Turkish

[More information about "Easy Rack Mounting"...](#)

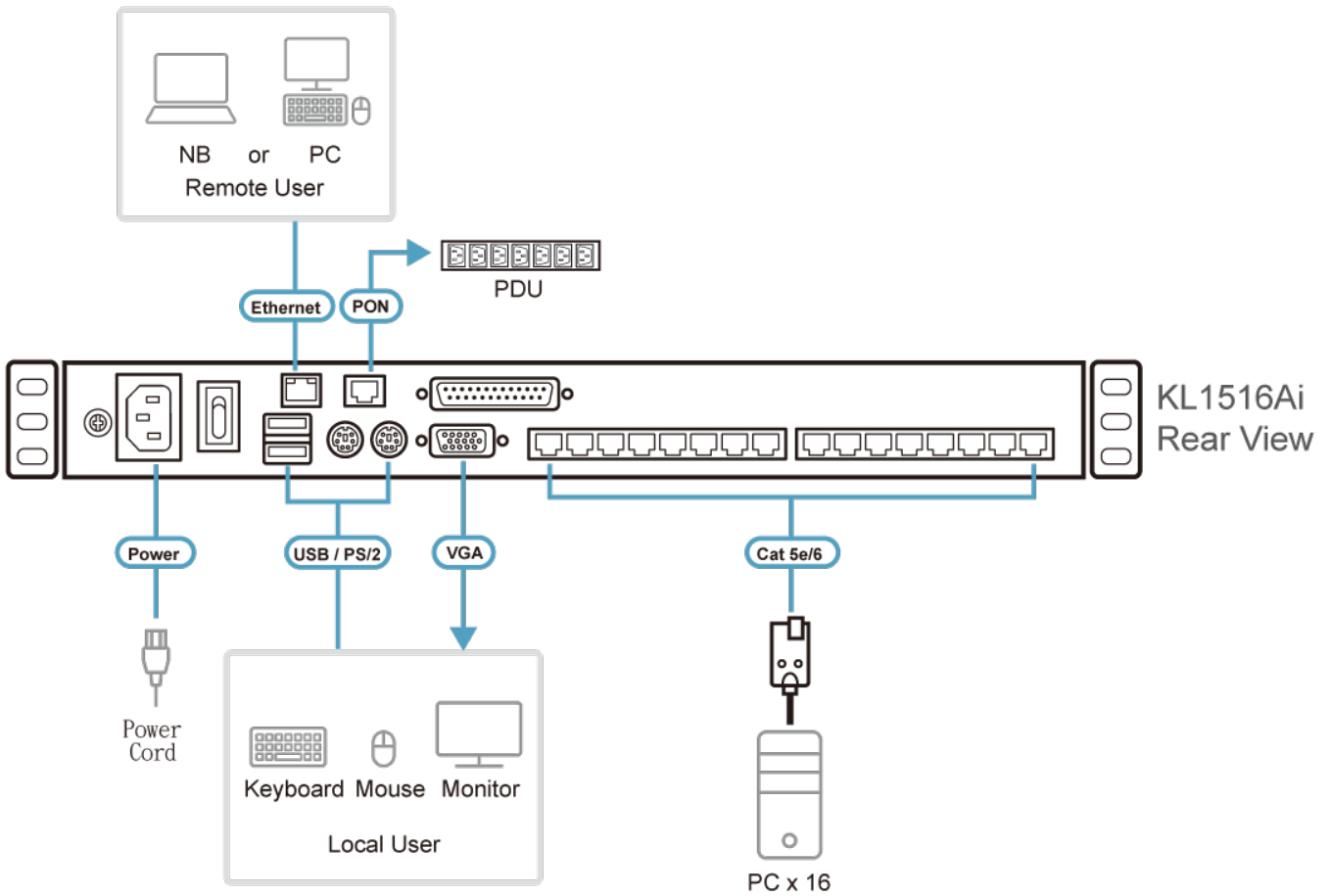
**Specifications**

Function	KL1516AiM	KL1516AiN
Console Connections		
Local	1 (Share Remote Bus)	1 (Share Remote Bus)
Remote	1	1
Computer Connections		
Direct	16	16
Maximum	256 (via Daisy-chain)	256 (via Daisy-chain)
Port Selection	OSD, Hotkey, Pushbuttons	OSD, Hotkey, Pushbuttons

Connectors		
Console Ports	2 x USB Type-A Female (White) 1 x 6-pin Mini-DIN Female (Purple) 1 x 6-pin Mini-DIN Female (Green) 1 x HDB-15 Female (Blue)	2 x USB Type-A Female (White) 1 x 6-pin Mini-DIN Female (Purple) 1 x 6-pin Mini-DIN Female (Green) 1 x HDB-15 Female (Blue)
External Mouse Port	1 x USB Type-A Female	1 x USB Type-A Female
KVM Ports	16 x RJ-45 Female	16 x RJ-45 Female
Daisy Chain Ports	1 x DB-25 Male	1 x DB-25 Male
PON	1 x RJ-45 Female	1 x RJ-45 Female
Firmware Upgrade	1 x RJ-11 Female	1 x RJ-11 Female
LAN Ports	1 x RJ-45 Female	1 x RJ-45 Female
Power	1 x IEC 60320/C14	1 x IEC 60320/C14
Switches		
Port Selection	16 x Pushbutton	16 x Pushbutton
Station Selection	2 x Pushbutton	2 x Pushbutton
Reset	1 x Semi-recessed Pushbutton	1 x Semi-recessed Pushbutton
Firmware Upgrade	1 x Slide	1 x Slide
Power	1 x Rocker	1 x Rocker
LCD Power	1 x Pushbutton	1 x Pushbutton
LCD Adjustment	4 x Pushbutton	4 x Pushbutton
LEDs		
Online	16 (Green)	16 (Green)
Selected	16 (Orange)	16 (Orange)
Station Selection	2 x 7 Segments (Orange)	2 x 7 Segments (Orange)
Link	1 (Green)	1 (Green)
10/100/1000 Mbps	non-FHD:10/100 Mbps (Orange / Green) FHD:100/1000 Mbps (Orange / Green)	non-FHD:10/100 Mbps (Orange / Green) FHD:100/1000 Mbps (Orange / Green)
Power	1 (Blue)	1 (Blue)
LCD Power	1 (Orange)	1 (Orange)
Lock	1 x Num Lock (Green) 1 x Caps Lock (Green) 1 x Scroll Lock (Green)	1 x Num Lock (Green) 1 x Caps Lock (Green) 1 x Scroll Lock (Green)
Video		
Local	1600 x 1200 @ 60Hz (non-FHD version) 1920 x 1200 @ 60Hz (FHD version)	1600 x 1200 @ 60Hz (non-FHD version) 1920 x 1200 @ 60Hz (FHD version)
Remote	FHD: 1920 x 1200 @ 60Hz Non-FHD: 1600 x 1200 @ 60 Hz	FHD: 1920 x 1200 @ 60Hz Non-FHD: 1600 x 1200 @ 60 Hz
Panel Spec		
LCD Module	17" TFT-LCD	19" TFT-LCD
Resolution	1280 x 1024 @ 75Hz	1280 x 1024 @ 75Hz
Pixel Pitch	0.264 mm x 0.264 mm	0.294 mm x 0.294 mm
Response time	5 ms	5 ms
Viewing Angle	170° (H), 160° (V)	170° (H), 160° (V)
Support Color	16.7M colors	16.7M colors

Contrast Ratio	1000:1	1000:1
Luminance	250 cd/m <sup>2</sup>	250 cd/m <sup>2</sup>
Emulation		
Keyboard / Mouse	PS/2; USB	PS/2; USB
Scan Interval	1–255 sec.	1–255 sec.
Maximum Input Power Rating	100–240V AC, 50-60Hz, 1A	100–240V AC, 50-60Hz, 1A
Power Consumption	AC110V:21.2W:110BTU/h AC220V:23.1W:119BTU/h  Note: ● The measurement in Watts indicates the typical power consumption of the device with no external loading. ● The measurement in BTU/h indicates the power consumption of the device when it is fully loaded.	AC110V:24.4W:125BTU/h AC220V:25.4W:130BTU/h  Note: ● The measurement in Watts indicates the typical power consumption of the device with no external loading. ● The measurement in BTU/h indicates the power consumption of the device when it is fully loaded.
Environmental		
Operating Temperature	0 - 40°C	0 - 40°C
Storage Temperature	-20 - 60°C	-20 - 60°C
Humidity	0–80% RH, Non-condensing	0–80% RH, Non-condensing
Physical Properties		
Housing	Metal	Metal
Weight	15.24 kg ( 33.57 lb )	15.40 kg ( 33.92 lb )
Dimensions (L x W x H)	48.00 x 70.12 x 4.40 cm (18.9 x 27.61 x 1.73 in.)	48.00 x 70.12 x 4.40 cm (18.9 x 27.61 x 1.73 in.)
Note	For some of rack mount products, please note that the standard physical dimensions of WxDxH are expressed using a LxWxH format.	

Diagram



**ATEN International Co., Ltd.**

3F., No.125, Sec. 2, Datong Rd., Sijhih District., New Taipei City 221, Taiwan  
 Phone: 886-2-8692-6789 Fax: 886-2-8692-6767  
 www.aten.com E-mail: marketing@aten.com



© Copyright 2015 ATEN® International Co., Ltd.  
 ATEN and the ATEN logo are trademarks of ATEN International Co., Ltd.  
 All rights reserved. All other trademarks are the property of their respective owners.