

CS1184H4

4-Port USB HDMI Secure KVM Switch (PSD PP v4.0 Compliant)



ATEN PSD PP v4.0 [Secure KVM](#) Switch CS1184H4 is specifically designed to meet the stringent security requirement of secure defense and intelligence installations. ATEN PSD PP v4.0 [Secure KVM](#) Switch CS1184H4 is compliant with PSD PP v4.0 (Protection Profile for Peripheral Sharing Device, Version 4.0) standard certified by the National Information Assurance Partnership (NIAP).

ATEN PSD PP v4.0 [Secure KVM](#) Switch CS1184H4 provides isolation between computer sources and peripherals while sharing a single keyboard, mouse, monitor, and speaker set between connected computers of various security classifications. Compliance with PSD PP v4.0 ensures peripheral sharing capabilities provide maximum user data security when switching port focus, preventing unauthorized data flows or leakage between connected sources. Key protections include isolation and unidirectional data flow, restricted peripheral connectivity and filtering, user data protection, configurable device filtration and management, strict audio filtration, and always-on tamper-proof design, keeping sensitive assets isolated and providing advanced security and a user friendly design for instantly secure deployment.

To enhance security, ATEN PSD PP v4.0 [Secure KVM](#) Switch CS1184H4 only offers manual switching methods including front panel pushbuttons and [Remote Port Selector](#) (RPS) ¹. With multi-layered security, ATEN PSD PP v4.0 [Secure KVM](#) Switch CS1184H4 ensures high-level desktop security and data safekeeping for applications such as government and military agencies, healthcare providers, banking and finance institutions, and other organizations that often handle sensitive or confidential data on separate networks.

Note:

1. The [Remote Port Selector](#) is not supplied in the package and requires a separate purchase.



Features

- **NIAP Common Criteria Compliant**
 - Compliant with PSD PP v4.0 (Protection Profile for Peripheral Sharing Device, Version 4.0) security requirements

- **Multi-Layered Security**
 - Always-on chassis intrusion detection – renders the ATEN PSD PP v4.0 [Secure KVM](#) Switch series inoperable when physical tampering is detected
 - Tamper-evident labels – provides visual indication of any attempt to access the ATEN PSD PP v4.0 [Secure KVM](#) Switch's internal components
 - Non-reprogrammable firmware – prevents reprogramming the ATEN PSD PP v4.0 [Secure KVM](#) Switch's firmware
 - Restricted peripheral connectivity – non-authorized HID's (Human Interface Devices), and video are rejected
 - Port selection via pushbuttons / [Remote Port Selector](#) (RPS) ¹ only to enhance security
 - LED indicators for peripheral filtering and KVM security status
 - Strict audio filtration protects against audio leakage.
 - Rugged metal enclosure

- **Data Channel Isolation and Unidirectional Data Flow**
 - True data path isolation – data cannot be transferred between computers
 - The ATEN PSD PP v4.0 [Secure KVM](#) Switch controls and isolates data flow between console devices and connected computers
 - Unidirectional data flow between console devices and the selected computer is ensured
 - Supports analog audio (speaker only) ²

- **User Data Protection**
 - The ATEN PSD PP v4.0 [Secure KVM](#) Switch's keyboard / mouse data is automatically deleted after transmission and automatically purged when the KVM port focus is switched

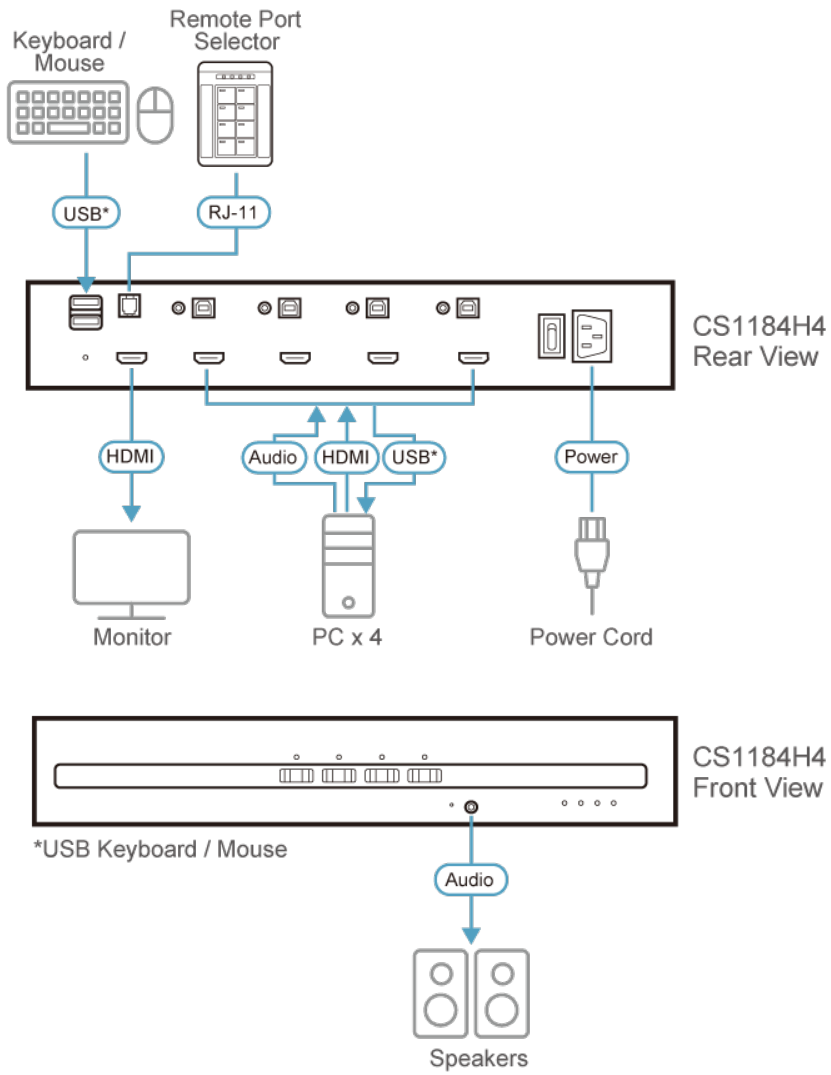
- **Security Management**
 - Supports administrative configuration of keyboard / mouse ports filtering to reject specific USB HID devices
 - Provides administrative functions for authorized administrators to audit KVM log data

- **Superior Video Quality**
 - Superior video quality – up to 4K (3840 x 2160 @ 60 Hz) ³
 - Video DynaSync™ – Exclusive ATEN technology eliminates boot-up display problems and optimizes resolutions when switching among different sources
 1. The [Remote Port Selector](#) is not supplied in the package and requires a separate purchase.
 2. Only analog speaker data input is supported.
 3. The HDMI [Secure KVM](#) Switch series supports console video output resolutions up to 3840 x 2160 @ 60 Hz.

Specifications

Computer Connections	4
Port Selection	Pushbutton, Remote Port Selector
Connectors	
Console Ports	1 x HDMI Female (Black) 2 x USB Type-A Female (White) 1 x Mini Stereo Jack Female (Green; front panel)
KVM Ports	4 x USB Type-B Female (White) 4 x HDMI Female (Black) 4 x Mini Stereo Jack Female (Green)
Power	1 x 3-prong AC Socket
Remote Port Selector	1 x RJ-11 (Black; rear panel)
Switches	
Port Selection	4 x Pushbuttons
Reset	1 x Semi-recessed Pushbutton
Power	1 x Rocker
LEDs	
Power	1 (Green)
Online / Selected (KVM Port)	4 (Orange)
Video	1 (Green)
Key Lock	3 (Green)
Emulation	
Keyboard / Mouse	USB
Video	Max. 3840 x 2160 @ 60 Hz (UHD)
Maximum Input Power Rating	100–240V~; 50-60 Hz; 1A
Power Consumption	AC110V:5W:31BTU/h AC220V:4.8W:30BTU/h Note: ● The measurement in Watts indicates the typical power consumption of the device with no external loading. ● The measurement in BTU/h indicates the power consumption of the device when it is fully loaded.
Environmental	
Operating Temperature	0-50°C
Storage Temperature	-20-60°C
Humidity	0 - 80% RH, Non-condensing
Physical Properties	
Housing	Metal
Weight	1.76 kg (3.88 lb)
Dimensions (L x W x H)	33.50 x 16.39 x 4.40 cm (13.19 x 6.45 x 1.73 in.)
Note	For some of rack mount products, please note that the standard physical dimensions of WxDxH are expressed using a LxWxH format.

Diagram



ATEN International Co., Ltd.

3F, No.125, Sec. 2, Datong Rd., Sijhih District., New Taipei City 221, Taiwan
 Phone: 886-2-8692-6789 Fax: 886-2-8692-6767
 www.aten.com E-mail: marketing@aten.com



© Copyright 2015 ATEN® International Co., Ltd.
 ATEN and the ATEN logo are trademarks of ATEN International Co., Ltd.
 All rights reserved. All other trademarks are the property of their respective owners.