

PE4102

2-Outlet Eco PDU Power Controller



Engineered to be an intelligent power distribution solution, the PE4102G Eco PDU Power Controller ships with 2 power outlets in an IEC socket configuration. It provides secure, centralized, intelligent, and remote power management of [data center](#) IT equipment to minimize operating costs.

The PE4102G features the remote power control function, allowing you to control devices attached to the PDU at the PDU device level from practically any location via a TCP/IP connection. The power sequence design eliminates the risks of power inrush, guaranteeing reliable operation and protecting the overall system health. With the support for [eco DC](#) software, it provides an easy method for managing multiple devices, offering an intuitive and user-friendly Graphical User Interface that allows you to configure a PDU device and reboot the device in case any equipment lock-up occurs. Additionally, the auto ping and auto reboot functions ensure devices remain responsive by automatically detecting connection issues and rebooting when necessary. Administrators can switch on/off or set a delay time for each power outlet or individual power outlet group whenever, wherever.

The PE4102G boasts a slim, compact form factor and supports desk mount, wall mount, as well as rack mount, ensuring easy installation in confined spaces. It is a smart eco PDU power controller tailored for hospitality or retail applications, such as digital signage and video walls, for edge computing devices, including routers, servers, and cameras, or for any [data center](#) environments where there is no need to keep the servers powered on at all times.



Power-on Sequencing



Remote Control



Auto Reboot



Auto Ping

Features

• Power Distribution

- Space-saving slim form factor
- IEC power outlets
- Separates power for the unit's operation and its power outlets – the user interface remains accessible even when an overload condition trips the device's circuit breaker

• Remote Access

- Remote power control via TCP/IP and a built-in 10/100 Ethernet port
- Network Interfaces: TCP/IP, UDP, HTTP, HTTPS, SSL, SMTP, ARP, NTP, DNS, SNMP V1&V2&V3, auto sense, Ping, Telnet, Modbus (over TCP/IP)
- Works with web-based [eco DC](#) software
- Supports IMAP and POP3 email protocols – allows users to switch PE4102G's outlets on/off via email
- Schedule control

• Operation

- Local and remote power outlet control (On, Off, Power Cycle) by individual outlets
- Power-on sequencing – users can set the power on sequence and delay time for each port to allow equipment to be turned on in a proper order
- Easy setup and operation via a browser-based user interface
- Receives heartbeat signals from connected devices through PMonitor to verify normal operation and automatically reboots them if no signal is received
- Outlet lock functionality – use of the front panel Power Control Button for the outlet can be disabled to prevent inadvertent button presses

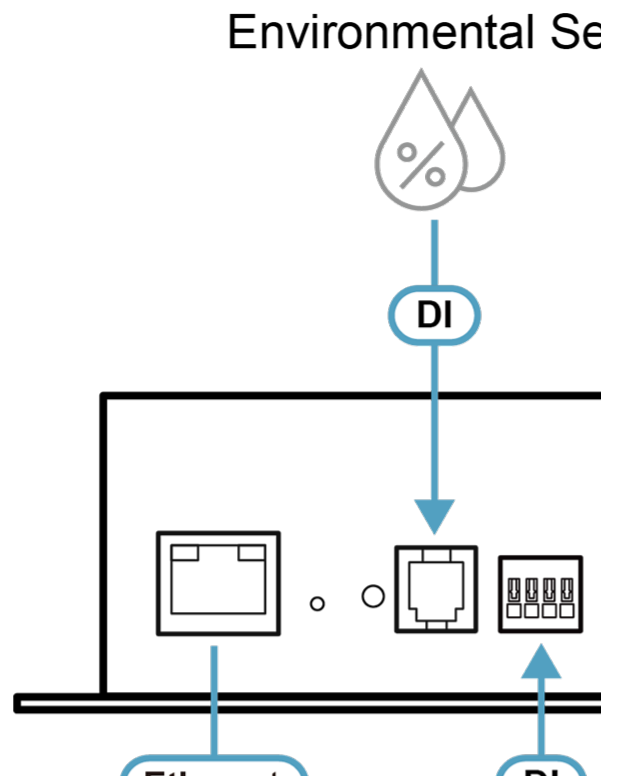
• Security

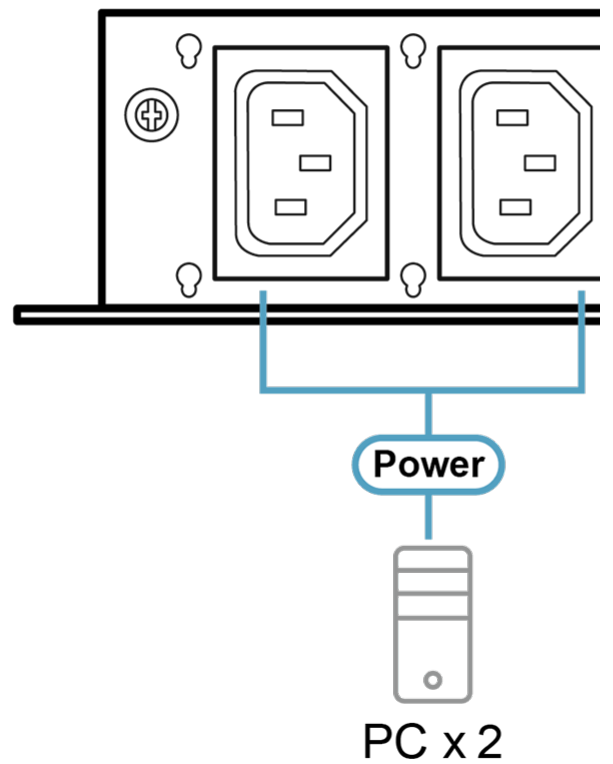
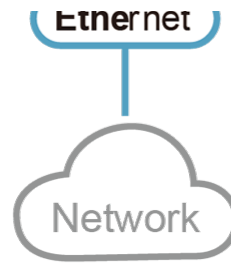
- Two-level password security
- Strong security features include password protection and advanced encryption technologies – TLS1.2 & TLS1.3
- Remote authentication support: RADIUS

Specifications

Electrical	
Nominal Input Voltage	100-240V
Maximum Input Current	10A Max
Input Frequency	50-60 Hz
Input Connection	IEC C14
Input Power	2400VA(Max)
Outlet Type	(2) IEC C13
Nominal Output Voltage	100-240 VAC
Maximum Output Current (Outlet)	10A(Max)
Maximum Output Current (Bank)	10A(Max)
Maximum Output Current (Total)	10A(Max)
Breakers	Yes(UL1077)
Metering	No
Outlet Switching	Yes
Physical Properties	
Dimensions (L x W x H)	17.0 x 12.78 x 4.40 cm (with wall mount ear) 15.0 x 12.78 x 4.40 cm (without wall mount ear)
Weight	0.70 kg
Power Cord Length	3M
Environmental	
Temperature (Operating / Storage)	0 – 50°C / -20 – 60°C
Humidity (Operating & Storage)	0 – 80% RH, Non-Condensing
Compliance	
EMC Verification	CE-EMC
Safety Verification	CE-LVD
Note	For some of rack mount products, please note that the standard physical dimensions of WxDxH are expressed using a LxWxH format.

Diagram





ATEN International Co., Ltd.

3F., No. 125, Sec. 2, Datong Rd., Sijhih District., New Taipei City 221, Taiwan
Phone: 886-2-8692-6789 Fax: 886-2-8692-6767
www.aten.com E-mail: marketing@aten.com



© Copyright 2015 ATEN® International Co., Ltd.
ATEN and the ATEN logo are trademarks of ATEN International Co., Ltd.
All rights reserved. All other trademarks are the property of their
respective owners.