

VE803

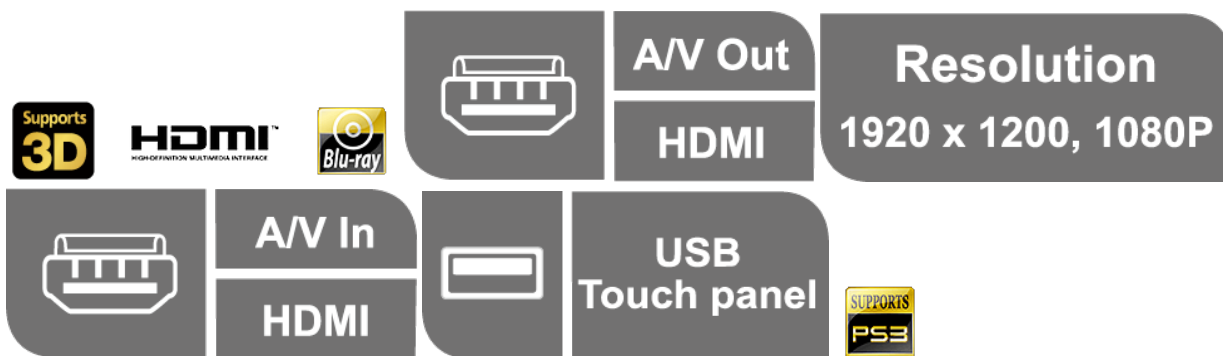
HDMI/USB Cat 5 Extender (1080p@40m)



The VE803 HDMI USB Extender extends an HDMI signal up to 60 meters from the HDMI source using two Cat 5e cables. It is capable of sending 1080i signals up to 60 meters and 1080p signals up to 40 meters.

The VE803 is equipped with USB connectors which allow you to extend any USB device between the units. The USB feature also provides support for touch panel control, allowing you to control the local HDMI source device from the remote display, or control the remote display through the local unit.

The VE803 is ideal for transportation centers, medical facilities, shopping malls or anywhere touch panel control or a kiosk is required. For flexibility and convenience, the VE803 local unit can be powered via the USB cable when connected to an appropriate source device. The VE803 is HDCP compliant, providing an easy and ideal HDMI extender solution for any application.



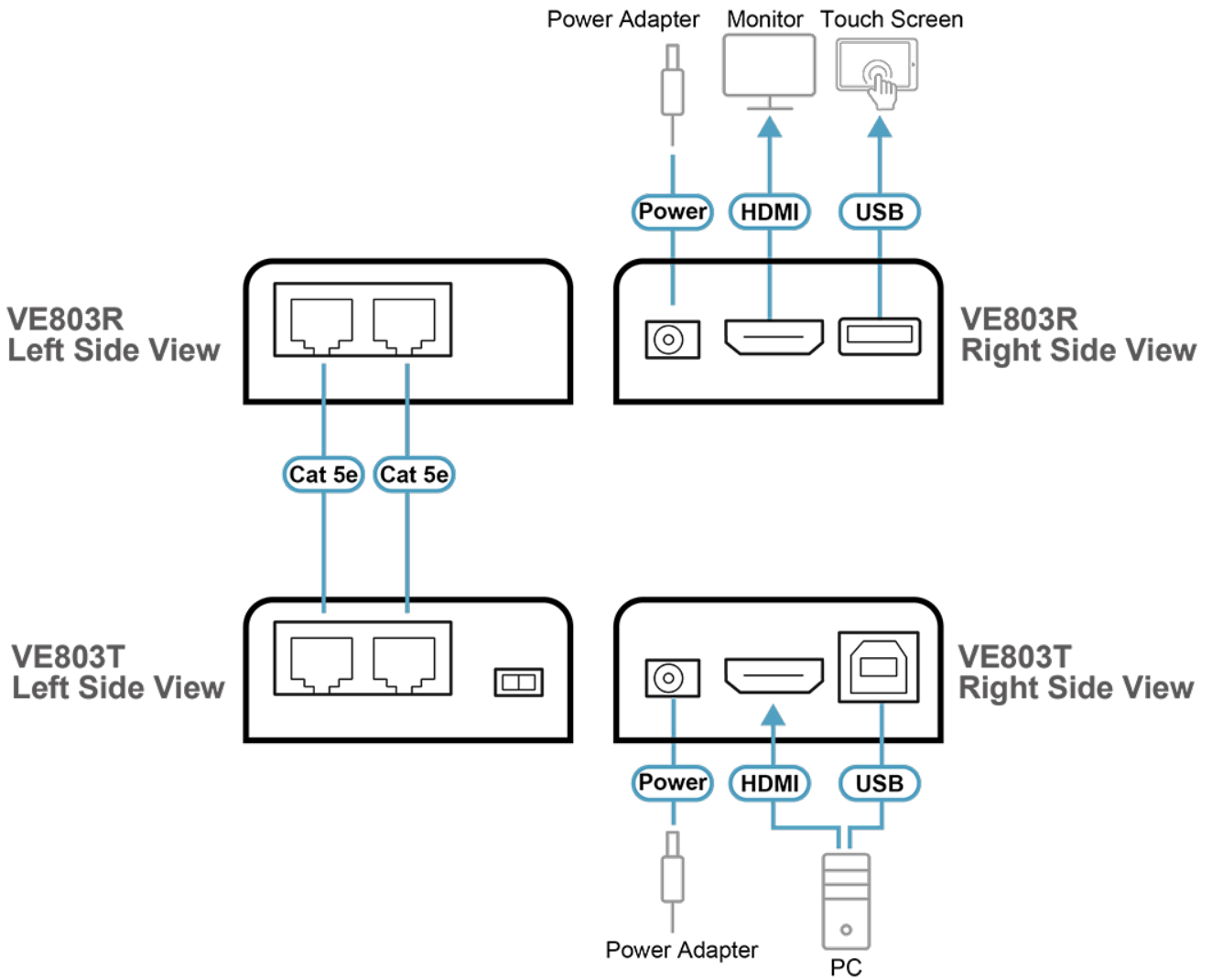
Features

- Uses two Cat 5e cables to connect the local and the remote units
- Extends 1080p by 40m; extend 1080i by 60m
- Superior video quality – [HDTV](#) resolutions of 480p, 720p, 1080i, 1080p (1920 x 1080), VGA, SVGA, XGA, SXGA, UXGA and WUXGA (1920 x 1200)
- Supports USB touch panel
- 8 segment equalization adjustment switch optimizes display quality
- Support Dolby True HD and DTS HD Master Audio
- Built-in 8KV/15KV ESD protection
- Transparent USB Support – supports all USB 2.0 full speed device (up to 12 Mbps)
- Supports wide screen formats
- HDMI (3D, Deep Color); HDCP compatible – signaling rates up to 2.25Gbits
- Powered local unit via USB cable

Specifications

Function	VE803R	VE803T
Video Input		
Interfaces	N/A	1 x HDMI Type A Female (Black)
Impedance	N/A	100 Ω
Max. Distance	N/A	3 m
Video Output		
Interfaces	1 x HDMI Type A Female (Black)	N/A
Impedance	100 Ω	N/A
Max. Distance	3 m	N/A
Video		
Max. Data Rate	6.75 Gbps (2.25 Gbps Per Lane)	6.75 Gbps (2.25 Gbps Per Lane)
Max. Pixel Clock	225 MHz	225 MHz
Compliance	HDMI (3D, Deep Color) HDCP Compatible	HDMI (3D, Deep Color) HDCP Compatible
Max. Resolutions / Distance	Up to 1080p@40m; 1080i@60m	Up to 1080p@40m; 1080i@60m
Audio		
Input	N/A	1 x HDMI Type A Female (Black)
Output	1 x HDMI Type A Female (Black)	N/A
Control		
USB	1 x USB Type A Female	1 x USB Type B Female
EDID Settings	EDID Mode: Default	EDID Mode: Default
Connectors		
Power	1 x DC Jack	1 x DC Jack
Power Consumption	DC5V:0.75W:14BTU/h Note: ● The measurement in Watts indicates the typical power consumption of the device with no external loading. ● The measurement in BTU/h indicates the power consumption of the device when it is fully loaded.	DC5V:1.04W:16BTU/h Note: ● The measurement in Watts indicates the typical power consumption of the device with no external loading. ● The measurement in BTU/h indicates the power consumption of the device when it is fully loaded.
Environmental		
Operating Temperature	0 - 50°C	0 - 50°C
Storage Temperature	-20 - 60°C	-20 - 60°C
Humidity	0 - 80% RH, Non-Condensing	0 - 80% RH, Non-Condensing
Physical Properties		
Housing	Metal	Metal
Weight	0.16 kg (0.35 lb)	0.16 kg (0.35 lb)
Dimensions (L x W x H)	9.00 x 5.74 x 2.40 cm (3.54 x 2.26 x 0.94 in.)	9.00 x 5.74 x 2.40 cm (3.54 x 2.26 x 0.94 in.)
Carton Lot	5 pcs	5 pcs
Note	For some of rack mount products, please note that the standard physical dimensions of WxDxH are expressed using a LxWxH format.	

Diagram



ATEN International Co., Ltd.

3F., No.125, Sec. 2, Datong Rd., Sijhih District., New Taipei City 221, Taiwan
 Phone: 886-2-8692-6789 Fax: 886-2-8692-6767
 www.aten.com E-mail: marketing@aten.com



© Copyright 2015 ATEN® International Co., Ltd.
 ATEN and the ATEN logo are trademarks of ATEN International Co., Ltd.
 All rights reserved. All other trademarks are the property of their respective owners.