

VE805R

HDMI HDBaseT-Lite Receiver with Scaler (1080p@70m)
(HDBaseT Class B)



The VE805R HDMI HDBaseT-Lite Receiver with Scaler can be combined with ATEN HDMI HDBaseT products to extend a HDMI display up to 60 m from the HDMI source device using a single Cat 5e/6 cable or up to 70 m via a Cat 6a cable.

With a built-in scaler, the VE805R supports scaling the display of different video resolutions. When combined with the ATEN [VM8514](#) HDBaseT Output Board, it supports video wall integration and Seamless Switch™ functions. In addition, the VE805R is equipped with RS-232 and IR signaling pass-through, which allows RS-232 and IR channels to be controlled either from the remote to local unit or from the local to remote unit, for bi-directional control of the source or display device.



Features

- HDBaseT connectivity – extends the connection between the [VM8514](#) HDBaseT outputs and an HDMI display over a long distance via single Cat 5e/6/6a cable
- HDBaseT Anti-jamming – resists signal interference during high quality video transmissions using HDBaseT technology
- Bi-directional RS-232 channel¹ – allows you to connect to serial terminals or serial devices, such as touch screens and barcode scanners
- Scaler – features a scaling function to integrate a video wall seamlessly with various output formats
- Seamless Switch™ – close-to-zero second switching that provides continuous video streams, real-time switching and stable signal transmissions²
- Video Wall – features configurable Video Wall profiles available for custom screen layouts via simple point-n-click web GUI²
- Bi-directional IR channel – IR transmission is processed one direction at a time³
- Rack-mountable

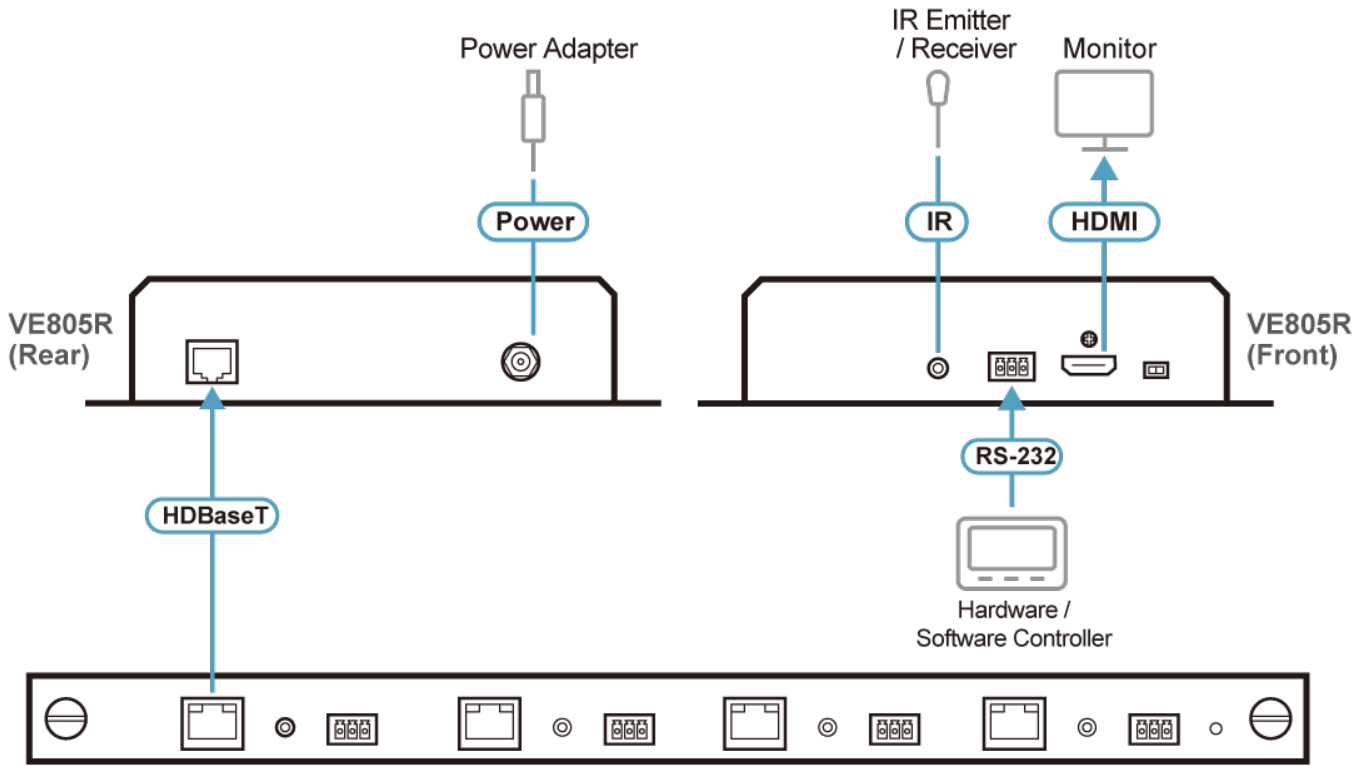
Note:

1. Bi-directional RS-232 channel only available when VE805R is used with the [VM8514](#).
2. The Seamless Switch™ and Video Wall functions are available when the VE805R is used with the [VM8514](#).
3. Supports full frequency IR signals from 30KHz to 60KHz; however the IR receiver cable included with the package only supports 30KHz to 56 KHz.

Specifications

| | |
|-----------------------------|--|
| Video Input | |
| Interfaces | 1 x RJ-45 Female (Silver) |
| Impedance | 100 Ω |
| Video Output | |
| Interfaces | 1 x HDMI Type A Female (Black) |
| Impedance | 100 Ω |
| Max. Distance | 3 m |
| Video | |
| Max. Data Rate | 6.75 Gbps (2.25 Gbps per lane) |
| Max. Pixel Clock | 225 MHz |
| Compliance | HDMI (3D, Deep Color) HDCP 1.4 Compatible HDBaseT Compatible |
| Max. Resolutions / Distance | Up to 1080p @60m (Cat 5e/6); 70m (Cat 6a) |
| Control | |
| RS-232 | 1 x Captive Screw Connector, 3 Pole |
| IR | 1 x Mini Stereo Jack Female (Black) |
| Connectors | |
| Power | 1 x DC Jack (Silver) |
| Switches | |
| Firmware Upgrade | 1 x Slide Switch |
| Power Consumption | DC5V:8.36W:39BTU/h Note: <ul style="list-style-type: none"> ● The measurement in Watts indicates the typical power consumption of the device with no external loading. ● The measurement in BTU/h indicates the power consumption of the device when it is fully loaded. |
| Environmental | |
| Operating Temperature | 0 - 50°C |
| Storage Temperature | -20 - 60°C |
| Humidity | 0 - 80% RH, Non-Condensing |
| Physical Properties | |
| Housing | Metal |
| Weight | 0.81 kg (1.78 lb) |
| Dimensions (L x W x H) | 17.74 x 16.92 x 4.20 cm (6.98 x 6.66 x 1.65 in.) |
| Note | For some of rack mount products, please note that the standard physical dimensions of WxDxH are expressed using a LxWxH format. |

Diagram



Output Board (e.g. VM8514) on Modular Matrix Switch (e.g. VM1600A)

ATEN International Co., Ltd.

3F, No. 125, Sec. 2, Datong Rd., Sijhih District., New Taipei City 221, Taiwan
 Phone: 886-2-8692-6789 Fax: 886-2-8692-6767
 www.aten.com E-mail: marketing@aten.com



© Copyright 2015 ATEN® International Co., Ltd.
 ATEN and the ATEN logo are trademarks of ATEN International Co., Ltd.
 All rights reserved. All other trademarks are the property of their respective owners.