

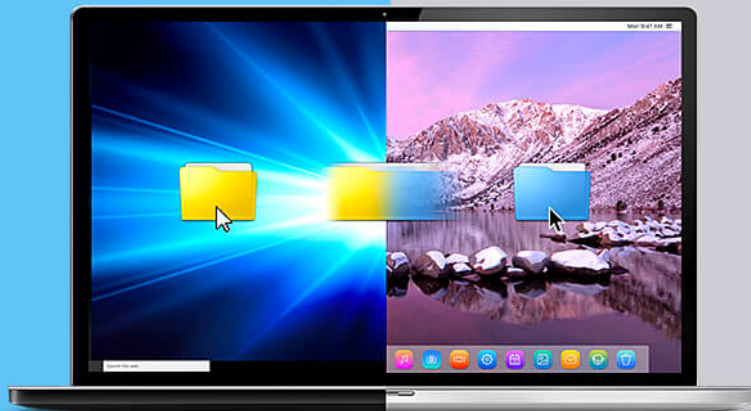
US3342

2-Port USB-C Gen 2 Sharing Switch with Power Pass-through



$$1 + 1 = 1$$

Control and share across two systems
as if they are one.

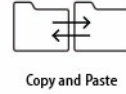
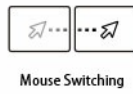
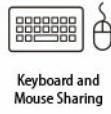


Windows

Mac

US3342

2-port USB-C Sharing Switch
with Power Pass-through



Share Devices with Two Computers

No more dealing with plugging and unplugging. Connect your USB-C laptops to US3342 and start sharing peripheral devices. Use only one set of keyboard and mouse to seamlessly control two systems and to share data and multiple USB devices without the need to plug and unplug or configure complicated network-based server/client setups.



Operate Two Computers as They are One

Switching between computers has never been so easy and so intuitive. Mouse Switching allows you to effortlessly move the mouse cursor across the screen border and onto the target computer to switch control without clicking a button. Less time waiting on switching, more time focusing on creating and producing.



Contact Us

Get a quote for this product or get in touch with our sales experts

[Get Quote](#)

[Contact Sales](#)



Make Quicker Work of Everything

The US3342 builds a direct link between the two computers with up to 10Gbps transfer speed. With Clipboard Sharing, you can copy and paste or drag and drop files, images, and texts directly from one to another without the trouble of using a storage device as an intermediate with double the transfer time. The ultra-fast 10Gbps transfer rate allows you to work with unprecedented speed, 20x faster than USB 2.0.

Power to your Laptop and all your Devices

The 85W USB-C power delivery 3.0 pass-through charges one of your laptop and also provides enough power to power-hungry devices, such as external hard drives and gaming devices. You can use your favorite keyboard and mouse to work and play, even with a power-hungry RGB gaming rig.



Share without Boundaries

Powered by US3342, your computers can work seamlessly and share with each other, no matter if they are Windows to OS X, OS X to OS X, or Windows to Windows. Create simplified, productive workspaces for any desktop-like environment.

Talk to Our Experts

If you prefer to have ATEN contact you, please complete the form and a representative will be in touch with you shortly

First Name *

Last Name *

- Country *

Company *

Email *

Phone Number *

- Customer Type *

Job Title *



Seamless Sharing



Power Pass-Thru



Features

ATEN US3342 is a 2-port USB 3.2 Gen 2 peripheral sharing device that allows users to share data between four USB devices in two different USB-C enabled laptops. The US3342 is USB 3.2 Gen 2 compliant, which can support data transfer rate up to 10Gbps, and also compatible with USB 3.1 Gen 1, USB 2.0 and USB1.1.

With the US3342, you can quickly and effortlessly switch computers by using a convenient remote port selector pushbutton with LED that indicates which computer is being active. It provides the power that matched to USB-C Windows or Mac laptops with PD Profile specifications of 5V, 9V, 15V, and 20V.

Featuring exclusive function by BEZEL X software, the US3342 allows two laptops to share files and data across two different platforms - Window and Mac, by dragging the mouse from one screen to another. The BEZEL X software makes it easier to control and transfer files in a fingertip.

The connecting cables are bundled to save the extra cost of purchasing more USB cables. The additional USB-C cable included in the US3342 package, which allows the users to connect it to the USB-C laptops for flexible installation. The US3342 is the most cost-effective solution for USB-C equipped laptops.

In conclusion, the US3342 with its compact and all-in-one design is an ideal solution for users that seeks to save desk space and keep the desk well-organized in an efficient manner.

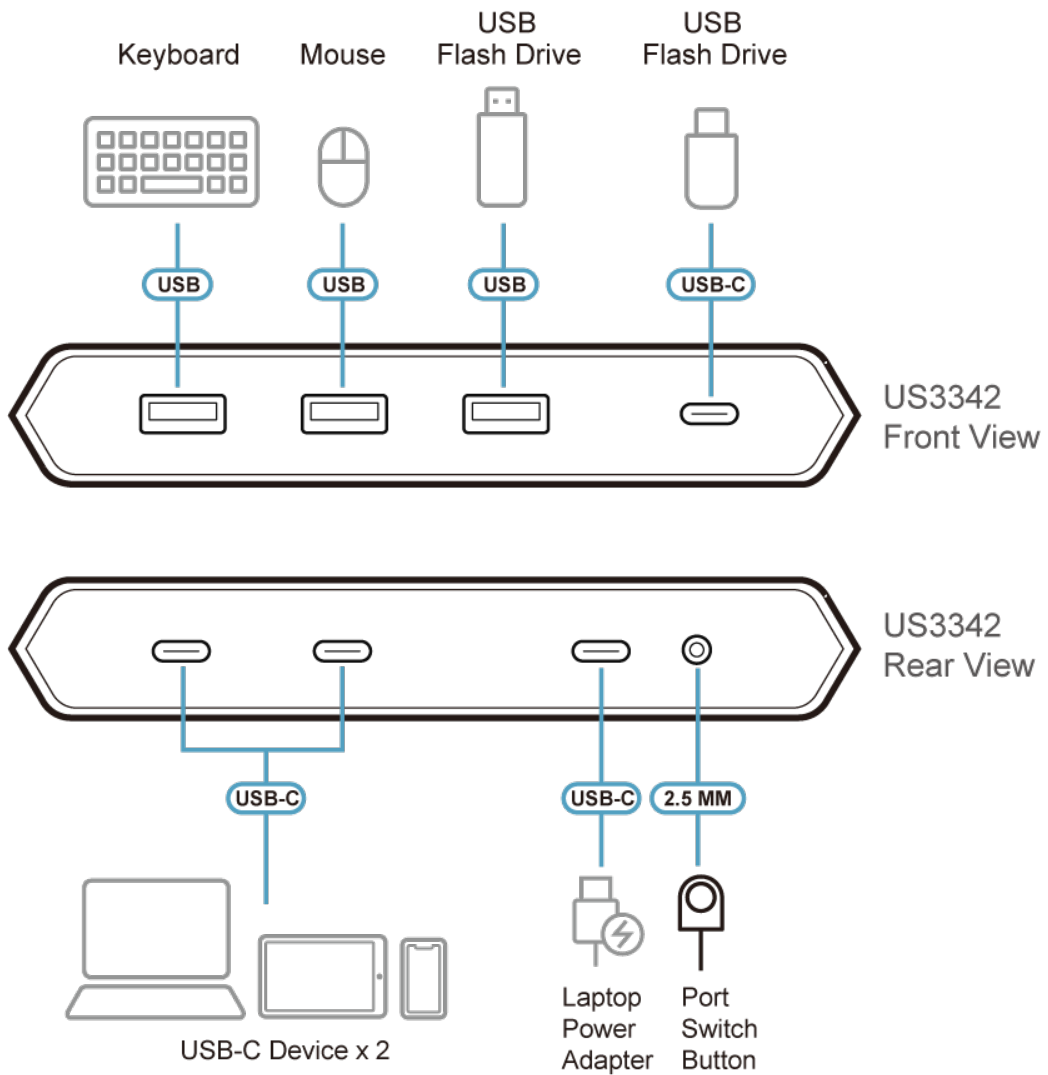
- Enables two USB-C computers to share 4 USB 3.2 Gen 2 peripheral devices with data transfer rates up to 10Gbps
- Supports USB-C Power Delivery 3.0 for laptop charging up to 85W (Additional USB-C Power Adapter is needed)*
- BEZEL X – Enable file transfer function and mice control cross two platforms, Windows and Mac
- Supports power profiles 5V, 9V, 15V, and 20V power specification
- Switch device via Remote Port Selector by pressing a button
- LEDs Console Indicator – Allow users to know which computer is active
- Plug and play – No drivers or external power adapter needed
- Over-current protection
- Apple M1 chip compatible (BazelX works with Rosetta on M1 Chipset)

* For device charging, a Limited Power Source (LPS) certified single port USB-C PD Power Adapter over 65Watt is recommended. The minimum system power requirement for basic USB functions should be at least 5V, 3A.

Specifications

Computer Connections	2
Connectors	
Computer	USB 3.2 Gen 2 Type-C Female (Black) x 2 Note: This USB-C port is for data transmission only, USB-C monitor is not supported.
Device	USB 3.2 Gen 2 Type-A Female (Blue) x 3 USB 3.2 Gen 2 Type-C Female (black) x 1
Power	USB Type-C Female x 1, supports USB PD3.0 at 5V, 9V, 15V and 20V output* * For device charging, a Limited Power Source (LPS) certified single port USB-C PD Power Adapter over 65Watt is recommended. The minimum system power requirement for basic USB functions should be at least 5V, 3A.
Port Selection	
Input	Remote port selector / software
Power Consumption	DC5V:0.43W:428BTU/h Note: <ul style="list-style-type: none"> ● The measurement in Watts indicates the typical power consumption of the device with no external loading. ● The measurement in BTU/h indicates the power consumption of the device when it is fully loaded.
LEDs	
Selected	2 (White)
Environmental	
Operating Temperature	0-40°C
Storage Temperature	-20-60°C
Humidity	0-80% RH, Non-condensing
Physical Properties	
Housing	Aluminum
Weight	0.26 kg (0.57 lb)
Dimensions (L x W x H)	14.30 x 9.00 x 2.38 cm (5.63 x 3.54 x 0.94 in.)
Note	For macOS 14 or later, touchpad is not supported for mouse control across two platforms Windows and Mac through BEZEL X.
Note	For some of rack mount products, please note that the standard physical dimensions of WxDxH are expressed using a LxWxH format.

Diagram



ATEN International Co., Ltd.

3F., No.125, Sec. 2, Datong Rd., Sijhih District., New Taipei City 221, Taiwan
 Phone: 886-2-8692-6789 Fax: 886-2-8692-6767
 www.aten.com E-mail: marketing@aten.com



© Copyright 2015 ATEN® International Co., Ltd.
 ATEN and the ATEN logo are trademarks of ATEN International Co., Ltd.
 All rights reserved. All other trademarks are the property of their respective owners.