

## CL1016

16-Port PS/2-USB VGA Single Rail LCD KVM Switch



The CL1016 LCD KVM Switch series are control units that allow access to multiple computers from a single keyboard, video, and mouse (KVM), console. A single CL1016 can control up to 16 computers. As many as 15 additional KVM switches can be daisy-chained to the [CL1008](#), so that up to 256 computers can all be controlled from a single KVM console.

The CL1016 offers a space-saving, streamlined approach to KVM switch technology by integrating a keyboard, 17" LED-backlit LCD monitor, and touchpad in a 1U rack-mountable sliding housing.

Note: Optional rack mount kits are available. For more information, refer to Compatible Accessories below.

### CL1016M: 17" LCD

#### Features

- Exclusive LED illumination light - designed by ATEN to illuminate the keyboard and touchpad to allow visibility in low-light conditions
- KVM console with 17" LED-backlit LCD monitor in a sliding housing with top and bottom clearance for smooth operation in a 1U high system rack
- LCD module rotates up to 120 degrees for a more comfortable viewing angle
- Standard rack mount kit included - optional Easy Rack Mounting (single person installation) rack mount kit available (requires separate purchase)
- Daisy-chain up to 15 additional units - control up to 256 computers
- No software required - convenient computer selection via hotkeys and mouse driven intuitive on screen display (OSD) menus
- Auto Scan feature for monitoring user-selected computers
- Broadcast support - commands from the keyboard can be broadcast to all available computers on the installation
- Hot pluggable - add or remove computers without having to power down the switch
- Two level password security - only authorized users view and control the computers; up to four users plus an administrator with separate profiles for each
- Video settings of attached computers are automatically adjusted for optimal output to the LCD monitor
- Upgradable firmware
- Multiplatform support: Windows 2000/XP/Vista, Linux and FreeBSD
- Optional rack mount kits available including easy installation options
- Keyboard Language support: English (US), English (UK), French, German, German (Swiss), Hungarian, Italian, Japanese, Korean, Russian, Spanish, Swedish and Traditional Chinese

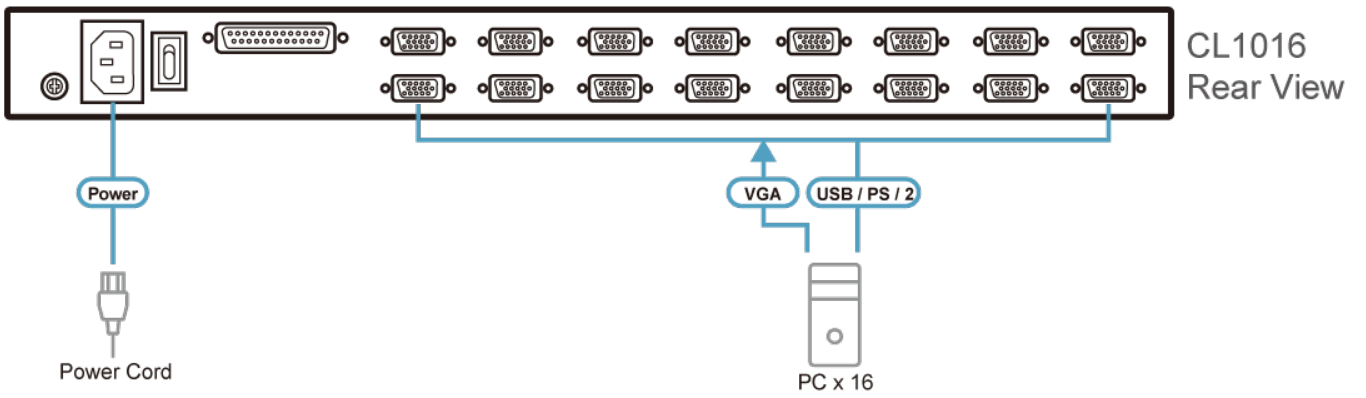
[More information about "Easy Rack Mounting"...](#)

#### Specifications

|                      |                           |
|----------------------|---------------------------|
| Computer Connections |                           |
| Direct               | 16                        |
| Maximum              | 256 (via Daisy-chain)     |
| Port Selection       | OSD, Hotkey, Pushbutton   |
| Connectors           |                           |
| KVM Ports            | 16 x SPHD Female (Yellow) |
| Daisy Chain Ports    | 1 x DB-25 Male            |
| Firmware Upgrade     | 1 x RJ-11 Female          |
| Power                | 1 x IEC 60320/C14         |
| Switches             |                           |
| Port Selection       | 16 x Pushbutton           |

|                            |  |
|----------------------------|--|
| Reset                      | 1 x Semi-recessed Pushbutton   |
| Firmware Upgrade           | 1 x Slide Switch   |
| Power                      | 1 x Rocker Switch  |
| LCD Control                | 4 x Pushbutton   |
| LEDs                       |  |
| Online                     | 16 (Orange)  |
| Selected                   | 16 (Green)   |
| Power                      | 1 (Dark Green)   |
| Lock                       | 1 x Num Lock (Green)<br>1 x Caps Lock (Green)<br>1 x Scroll Lock (Green)   |
| LED Illumination Light     | 1 x LED Illumination Light   |
| Panel Spec                 |  |
| LCD Module                 | 17" TFT-LCD  |
| Resolution                 | 1280 x 1024 @ 75 Hz  |
| Response time              | 5 ms   |
| Viewing Angle              | 170° (H), 160° (V)   |
| Pixel Pitch                | 0.264 mm x 0.264 mm  |
| Support Color              | 16.77M colors  |
| Contrast Ratio             | 1000 : 1   |
| Luminance                  | 250 cd/m <sup>2</sup>  |
| Video                      |  |
| Input Video Resolution     | up to 1920 x 1200 @ 60 Hz;<br>1280 x 1024 @ 75 Hz, DDC2B   |
| Scan Interval              | 1-255 seconds  |
| Emulation                  |  |
| Keyboard / Mouse           | PS/2, USB(via 2L-520xUP cables)  |
| Maximum Input Power Rating | 100-240V AC, 50-60 Hz, 1A  |
| Power Consumption          | AC110V:22.3W:105BTU/h<br>AC220V:24.5W:115BTU/h<br><br>Note:<br>● The measurement in Watts indicates the typical power consumption of the device with no external loading.<br>● The measurement in BTU/h indicates the power consumption of the device when it is fully loaded. |
| Environmental              |  |
| Operating Temperature      | 0-40°C   |
| Storage Temperature        | -20-60°C   |
| Humidity                   | 0 - 80% RH, Non-condensing   |
| Physical Properties        |  |
| Housing                    | Metal + Plastic  |
| Rail Type                  | Single Rail  |
| Weight                     | 13.55 kg ( 29.85 lb )  |
| Dimensions (L x W x H)     | 48.00 x 64.02 x 4.40 cm<br>(18.9 x 25.2 x 1.73 in.)  |
| Note                       | For some of rack mount products, please note that the standard physical dimensions of WxDxH are expressed using a LxWxH format.  |

Diagram



**ATEN International Co., Ltd.**

3F., No.125, Sec. 2, Datong Rd., Sijhih District., New Taipei City 221, Taiwan  
Phone: 886-2-8692-6789 Fax: 886-2-8692-6767  
www.aten.com E-mail: marketing@aten.com



© Copyright 2015 ATEN® International Co., Ltd.  
ATEN and the ATEN logo are trademarks of ATEN International Co., Ltd.  
All rights reserved. All other trademarks are the property of their respective owners.