

CS1798A

8-Port USB 2.0 4K HDMI KVM Switch



The CS1798A is an enterprise-grade KVM switch that delivers 4K DCI video and centralized control of multiple computers from a single console, streamlining operations, improving monitoring efficiency, and reducing system management complexity across enterprise, government, media and content provider, and video surveillance environments.

Centralized 4K DCI Control from a Single Console

The CS1798A enables centralized access and management of up to 8 HDMI computers from a single console consisting of a USB keyboard, mouse, and HDMI monitor while maintaining crisp 4K DCI video quality. By consolidating multi-system control into one console, it simplifies operational workflows, enables faster system switching, and enhances efficiency for continuous monitoring and multitasking in professional environments.

3-Level Cascading for Scalable System Expansion

Supporting up to three levels of cascading, the CS1798A allows a single console to centrally control up to 512 computers. This scalable cascading architecture enables system expansion without reconfiguring the existing setup, making it ideal for growing IT infrastructures, server rooms, and large-scale control environments.

Multi-Display Flexibility for Advanced Monitoring

The CS1798A supports multi-display functionality by stacking up to 8 CS1798A units, enabling simultaneous monitoring and comparison of video outputs across up to 8 displays. This capability simplifies multi-source visual analysis and enhances situational awareness in advanced monitoring environments.

Flexible USB Peripheral Sharing with Independent Switching

The CS1798A features a built-in 2-port USB 2.0 hub for shared USB peripherals. Independent switching of KVM and USB peripheral focus allows users to switch all devices together or keep USB peripherals connected to a selected system, improving operational flexibility and workflow efficiency.

Effortless Operation and Simplified System Maintenance

The CS1798A offers multiple switching methods, including front panel pushbuttons, hotkeys, and an intuitive On-Screen Display (OSD) for quick and efficient system access. Auto Scan Mode automatically cycles through connected computers for continuous monitoring, while firmware upgradability ensures easy updates for future enhancements, compatibility, and long-term system maintenance.



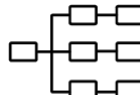
On-Screen Display



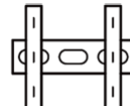
Video DynaSync™



4K DCI Video Clarity



Scalable Cascading



Rack Mountable

Features

• High-Performance Video and Display Capabilities

- Superior video quality – supports up to 4096 x 2160 @ 60Hz ¹
- Video DynaSync™ – eliminates boot-up display problems and optimizes resolution during switching
- HDCP 2.2 compliant

• Scalable KVM Architecture and Multi-Display Expansion

- One USB console controls up to 8 HDMI-interfaced computers and two additional USB 2.0 peripheral devices
- Cascadable to three levels – controls up to 512 computers
- Multi-Display feature – stacks up to 8 CS1798A units and displays video across up to 8 monitors (dual display / triple display / quad display / multi-display)
- Supports hot-plugging

• Flexible Switching and Control

- Computer selection via front panel pushbuttons, hotkeys, and multilingual OSD (On-Screen Display)
- Independent switching of KVM and USB peripheral focus
- Console mouse port emulation / bypass supports most mouse drivers and multifunction mice
- Complete keyboard emulation ensures error-free booting
- Auto Scan Mode for continuous monitoring of connected computers
- Broadcast mode – performs simultaneous operations across selected computers

• USB, Audio, and Peripheral Integration

- Built-in 2-port USB 2.0 hub ²
- Audio enabled – full bass response for 2.1 channel surround sound systems
- Front panel console audio port for easy access

• OSD Configuration and System Maintenance

- OSD Backup / Restore feature – backs up the switch's configuration and user profile information
- Firmware upgradable

• Platform, Language, and Keyboard Support

- Multiplatform support – Windows, Linux, Mac, and Sun
- Mac / Sun keyboard support and emulation ³
- Multilingual OSD supports multiple languages
- Multilingual keyboard mapping for diverse regional requirements

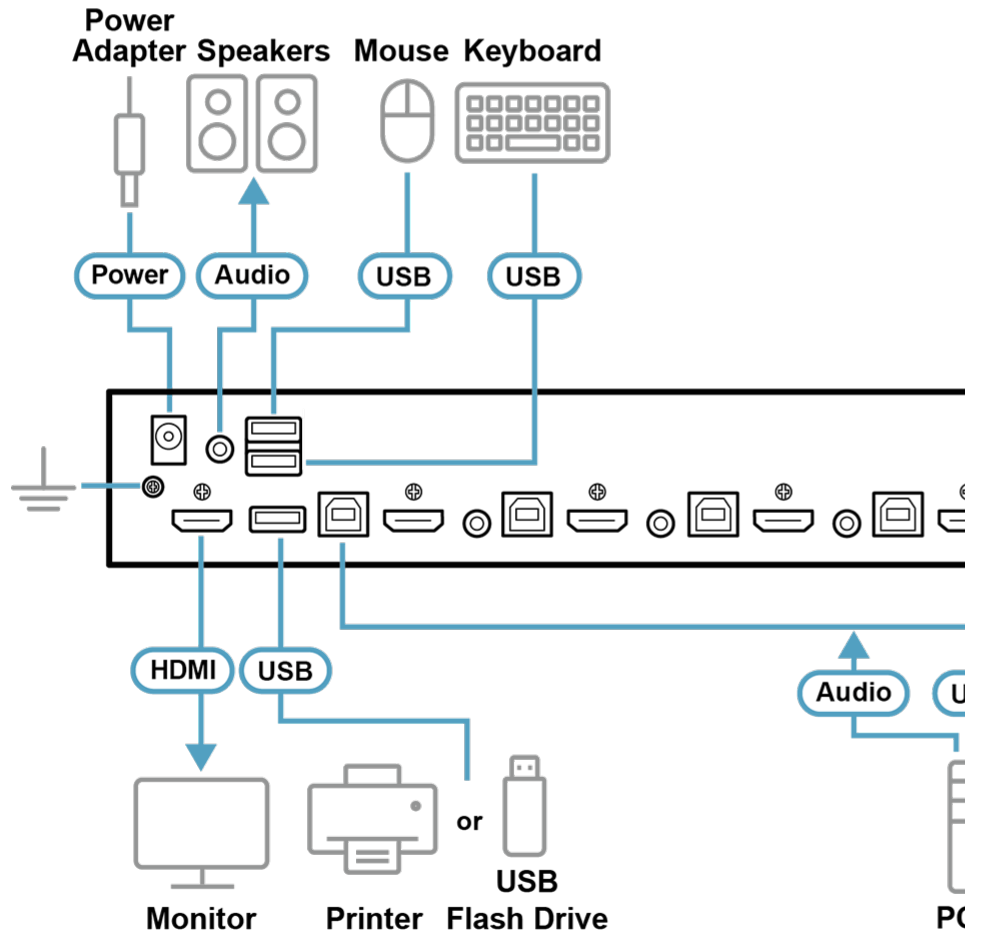
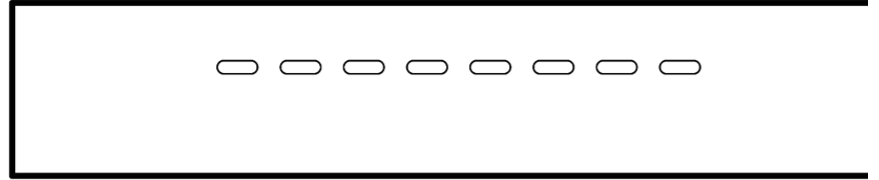
Note :

1. The CS1798A supports the resolution up to 4096 x 2160 @ 60Hz. The resolution of the connected source should be 4096 x 2160 @ 60Hz or lower in order to ensure optimal compatibility and performance.
2. The USB 2.0 hub cannot be accessed through the switch by computers on the second or third level of a cascaded installation.
3. PC keyboard combinations emulate Mac / Sun keyboards; Mac / Sun keyboards work only with their own computers.

Specifications

Computer Connections	
Direct	8
Maximum	512 (via Cascade)
Port Selection	OSD, Hotkey, Pushbutton
Connectors	
Console Ports	1 x HDMI Female (Black) 2 x USB Type A Female (White) 2 x 3.5mm Audio Jack Female (Green; 1 x front, 1 x rear)
KVM Ports	8 x HDMI Female (Black) 8 x USB Type B Female (White) 8 x 3.5mm Audio Jack Female (Green)
Firmware Upgrade	1 x RJ11 Female (Black; 1 x front)
Power	1 x DC Jack
USB Hub	2 x USB Type A Female (White; 1 x front, 1 x rear)
Switches	
Port Selection	8 x Pushbutton
Reset	1 x Semi-recessed Pushbutton
Firmware Upgrade Recovery	1 x Slide Switch
LEDs	
On Line /Selected	8 (Orange)
Power	1 (Dark Green)
USB Link	8 (Green)
Emulation	
Keyboard / Mouse	USB
Video	4096 x 2160 @ 60Hz
Scan Interval	1 – 255 seconds (default: 5 secs.)
Power Consumption	DC5V:6.43W:56BTU/h Note: ● The measurement in Watts indicates the typical power consumption of the device with no external loading. ● The measurement in BTU/h indicates the power consumption of the device when it is fully loaded.
Environmental	
Operating Temperature	0 – 50°C
Storage Temperature	-20 – 60°C
Humidity	0 – 80% RH, Non-condensing
Physical Properties	
Housing	Metal
Weight	3.50 kg (7.71 lb)
Dimensions (L x W x H)	43.24 x 25.72 x 4.40 cm (17.02 x 10.13 x 1.73 in.)
Note	For some of rack mount products, please note that the standard physical dimensions of WxDxH are expressed using a LxWxH format.

Diagram



 To prevent damage to your installation from power surges or st

