

## CM1284

4-Port USB 4K HDMI Multi-View KVMP™ Switch



# Streamline Desktop Operations with Multi-View Agility



◀ **CM1284**  
4-Port USB 4K HDMI Multi-View  
KVMP™ Switch

The CM1284 allows for connection of up to 4 HDMI computers and 2 HDMI displays, facilitating real-time monitoring of multiple video sources on a single multi-view display with up to 4K DCI visual quality. Multiple video sources can be selected, switched and displayed simultaneously with independent keyboard and mouse control. This innovative Multi-View KVMP™ Switch is also equipped with a 2-port USB hub permitting each computer to access connected peripherals while the USB peripheral switching can be independent of the KVM focus, making desktop multitasking truly effortless and productive.



Superior Video Quality



Audio Enabled



Boundless Switching



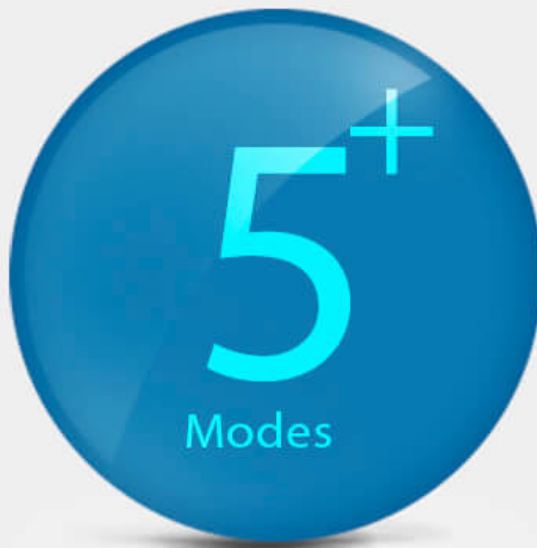
Video DynaSync™



USB Peripheral Sharing



Smart Switching Selection

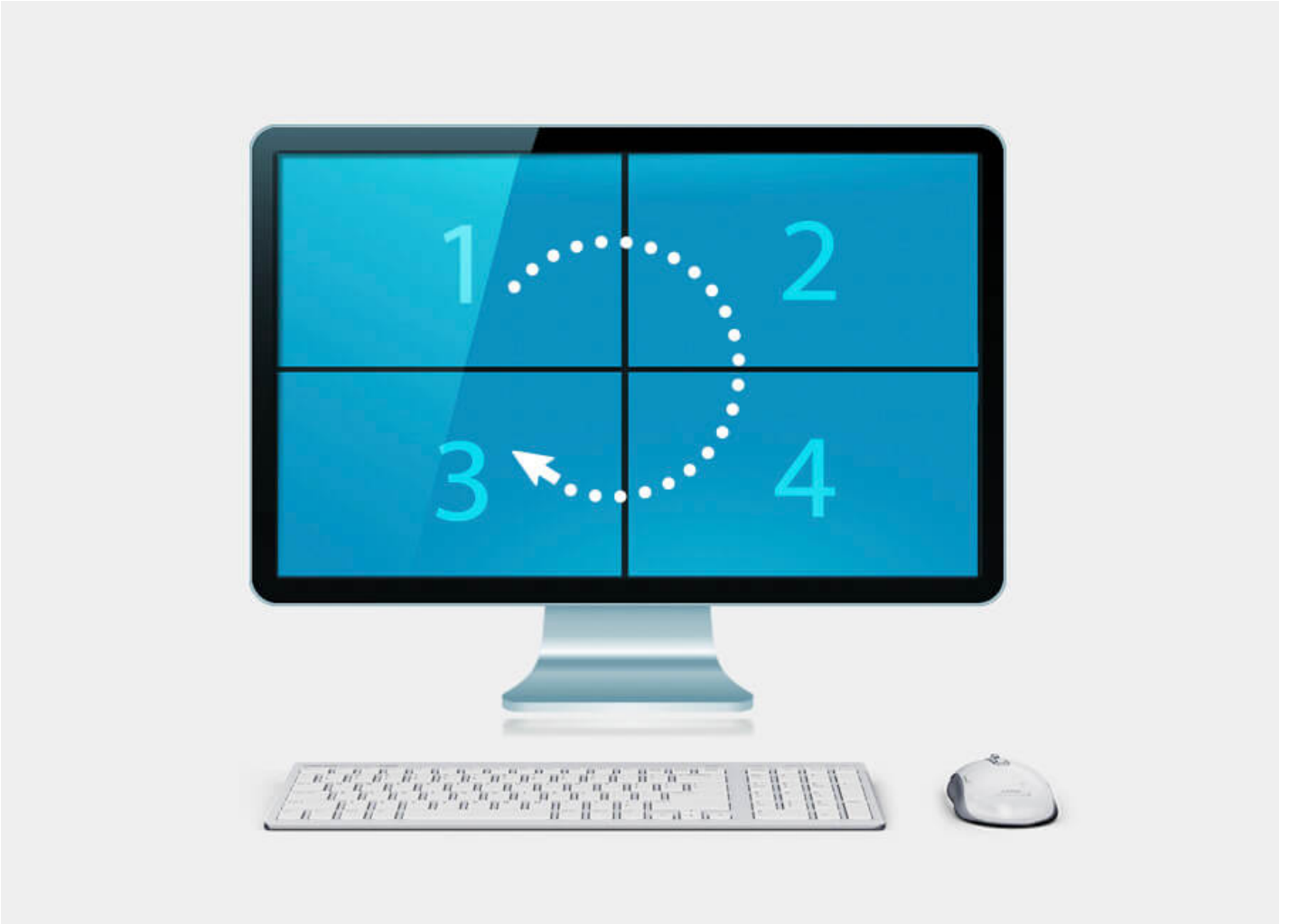


**versatile Display modes**

With dual output setup, multi-sourced video data can be displayed in various display modes – Full Screen, Quad View, PIP (picture in picture), PbP (picture by picture), and PoP (picture on picture) on the primary display, while a selected source can be shown in full screen on the secondary display, improving operational efficiency without missing any important details.

**Intuitive Boundless Switching**

ATEN's Boundless Switching features instant access and control to target any video source by allowing the mouse cursor to move across window borders boundlessly and seamlessly.



## Contact Us

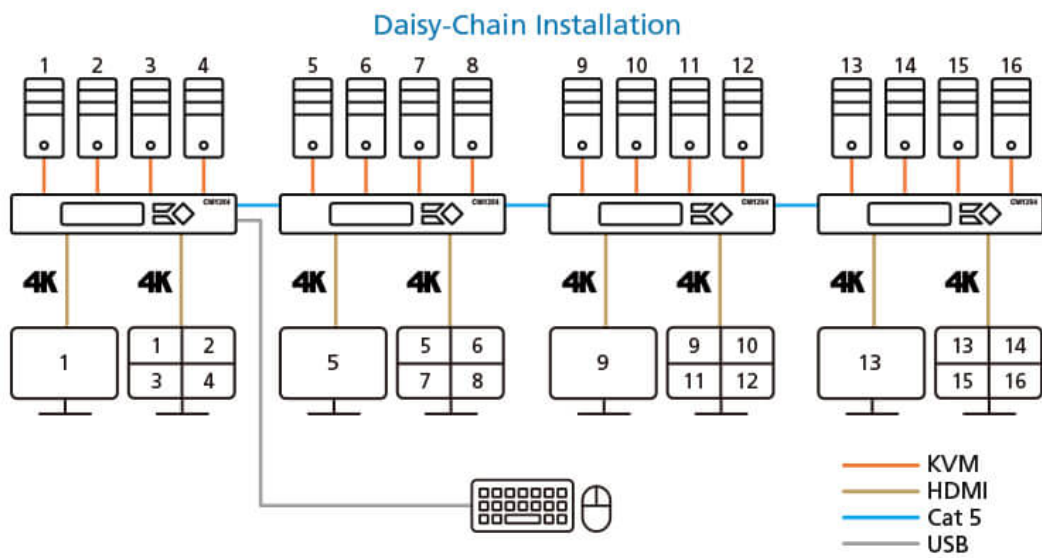
Get a quote for this product or get in touch with our sales experts

[Get Quote](#)

[Contact Sales](#)

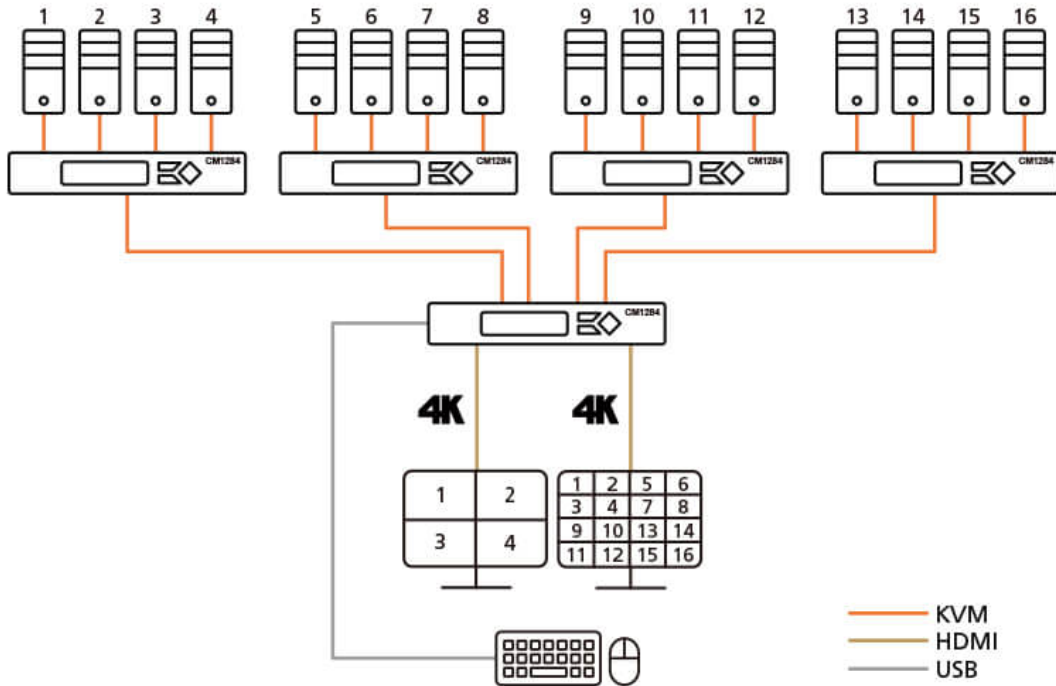
### Daisy Chain & Cascade Support

With Daisy Chain Control (DCC) capability, the CM1284 can control 3 additional CM1284 units (up to 16 video sources) via a single console.



Furthermore, it can also be cascaded up to 2 levels by connecting additional 4 CM1284 units (up to 16 video sources) via a single console with video displayed in up to 4x4 multi-view mode.

### Cascade Installation



#### Applications

The CM1284 Multi-View KVMP™ Switch is ideal for desktop operations in time critical scenarios that require real-time monitoring of multiple video sources and a prompt responsive approach, such as control-desk applications in broadcast or surveillance environments.

NOC (Network Operation Center)



Control Room



Broadcast



Transport Control Center



Product Comparison

## Talk to Our Experts

If you prefer to have ATEN contact you, please complete the form and a representative will be in touch with you shortly

First Name \*

Last Name \*

- Country \*

Company \*

Email \*

Phone Number \*

- Customer Type \*

Job Title \*

---



## Features

ATEN CM1284 4-Port USB HDMI Multi-View KVMP™ Switch improves the operational efficiency of real-time monitoring. The CM1284 allows users to manage the data more efficiently by allowing multiple sources to be selected, switched, and displayed at the same time with independent keyboard and mouse control.

Advanced video support provides a better-defined HDMI connection with video resolutions up to 4K (4096 x 2160 @ 30 Hz). The CM1284 guarantees users a real-time monitoring functionality by offering dual outputs on console side. One provides the following display modes: Quad View, Picture in Picture (PiP), Picture by Picture (PbP), Picture on Picture (PoP), and the other one provides Full Screen mode. Featuring Boundless Switching, the CM1284 allows users to simply move the mouse cursor across windows to switch to other video sources. This makes it easier to instantly access and control the target computer.

Incorporating Daisy Chain Control (DCC) capability, users are allowed to control up to 3 additional CM1284 units via a single console. In addition, CM1284 can be cascaded up to 2 levels to reach the maximum of 16 video sources to be simultaneously selected, switched, and displayed with independent keyboard and mouse control.

Engineered to meet the ever-increasing demand for multi-view functionality, the CM1284 is specifically designed for where real-time monitoring is needed such as aviation industry, financial trading, and medical application.

- Multi-view console controls up to four video sources on one screen with display modes including Quad View, Picture in Picture (PiP), Picture by Picture (PbP), and Picture on Picture (PoP)
- Features dual output on console side – a multi-view output and a full screen output
- Easily resizes and / or reposition any PiP or PbP to suit users' viewing needs
- System configuration via front panel, OSD, IR Remote, and RS-232 commands – display mode and port selection
- Supports superior video quality – Up to 4K (4096 x 2160 @ 30 Hz) ; YCbCr 4 : 2 : 2
- Drop down menu – edit display windows and other functions with the mouse and on-screen control panel
- Computer selection via front panel pushbutton and hotkey, mouse, and the serial commands <sup>1</sup>
- Boundless Switching – simply move the mouse cursor across windows to switch to other video sources even among the daisy chained installation
- Boundless Switching Focus – a window frame to indicate which computer that it currently has the focus
- Supports Extended Desktops Boundless Switching <sup>2</sup>
- Video DynaSync™ – exclusive ATEN technology eliminates boot-up display problems and optimizes the resolution when switching among different sources
- EDID Expert™ – Selects optimum EDID settings for smooth power-up, high-quality display and use of the best video resolution across different screens
- DCC (Daisy Chain Control) – Controls up to 3 additional CM1284 units from a single console
- Cascade up to 2 levels – Controls up to 16 computers (with up to 4 x 4 Multi-view mode)
- HDCP 1.4 compliant
- Console keyboard emulation / bypass feature that support most multimedia keyboards
- Console mouse port emulation / bypass feature that supports most mouse drivers and multifunction mice
- Independent switching for USB peripheral port, audio function and KVM switch focus
- Power on detection
- Auto Scan feature
- Firmware upgradable via computer's USB port
- Full bass response provides a rich experience for 2.1 channel audio
- Multilingual keyboard mapping – supports English, French, Japanese, and German keyboards
- Hot-pluggable
- Supports keyboard combinations via emulation (for Sun / Mac) <sup>3</sup>

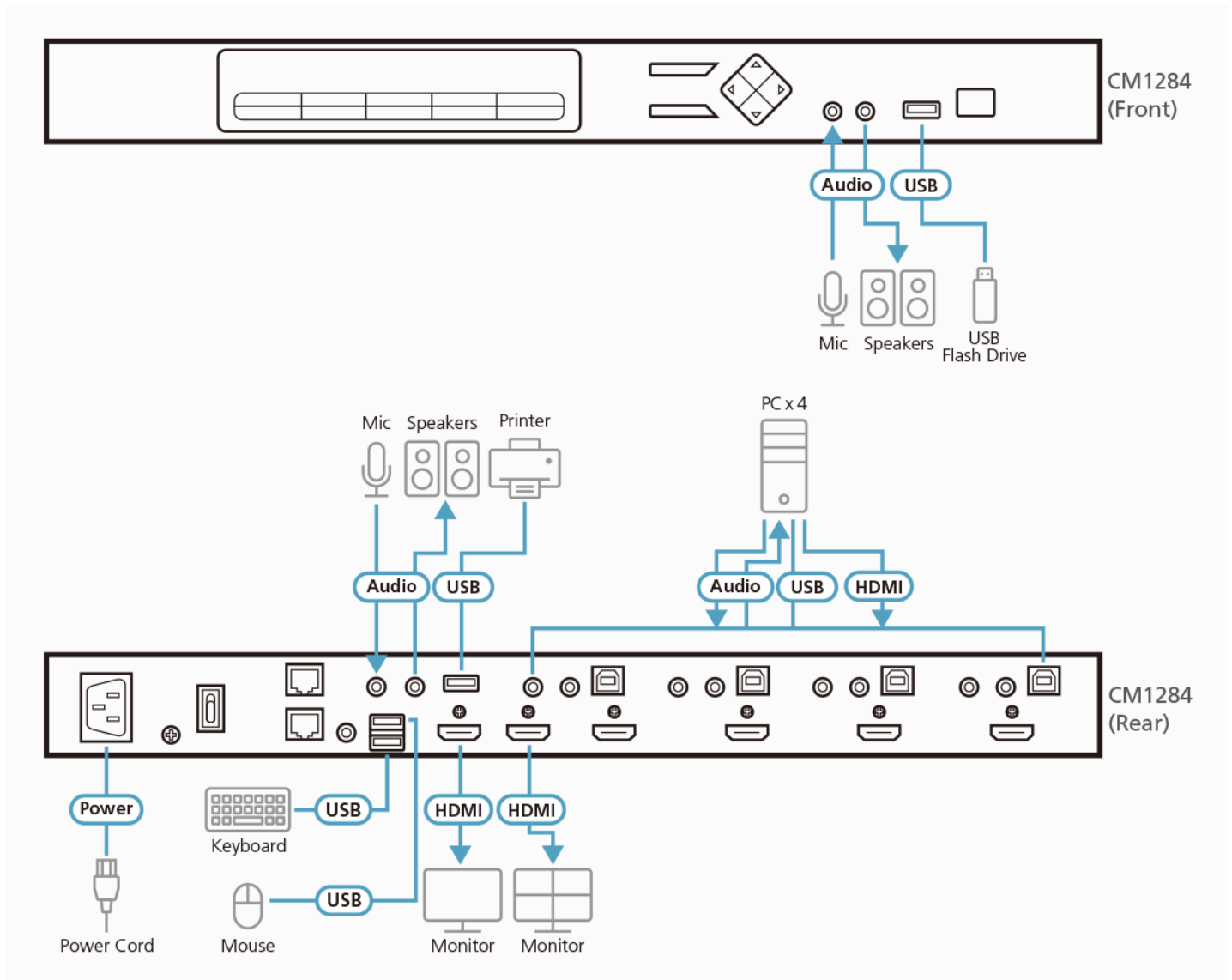
### Note:

1. Mouse port switching is only workable under the mouse emulation mode and applicable to 3-key USB wheel mouse only.
2. This function is only supported by Multi-View KVMP™ Switch using firmware version v2.3.222 or later.
3. PC keyboard combinations emulate Mac keyboard. Mac keyboard only works with their computers.

**Specification**

Computer Connections	4
Port Selection	Pushbuttons, Hotkeys, IR Remote Control, On-Screen Display (OSD), Mouse Wheel, Mouse Cursor, RS-232 Commands
Connectors	
Console Ports	2 x USB Type A Female 2 x HDMI Female (Black) 2 x 3.5mm Audio Jack Female (Green; 1 x front panel, 1 x rear panel) 2 x 3.5mm Audio Jack Female (Pink; 1 x front, 1 x rear) 2 x RJ-45
KVM (Computer) Ports	4 x USB Type B Female (White) 4 x HDMI Female (Black) 4 x 3.5mm Audio Jack Female (Green) 4 x 3.5mm Audio Jack Female (Pink)
Power	1 x IEC320 Jack
USB Hub	2 x USB 2.0 Type A Female (1 x front panel; 1 x rear panel)
Switches	
Selected	11 x Pushbuttons
LEDs	
KVM	4 (Orange)
Audio	4 (Green)
USB	4 (Green)
Emulation	
Keyboard / Mouse	USB
Video	4096 x 2160 @ 30 Hz
Scan Interval	5, 10, 15, 30, 60, 90 seconds (default: 5 seconds)
Maximum Input Power Rating	100-240 VAC; 50/60 Hz; 1A
Power Consumption	AC110V:16.0W:101BTU/h AC220V:14.8W:95BTU/h  Note: ● The measurement in Watts indicates the typical power consumption of the device with no external loading. ● The measurement in BTU/h indicates the power consumption of the device when it is fully loaded.
Environmental	
Operating Temperature	0-40°C
Storage Temperature	-10-60°C
Humidity	0-80% RH, Non-condensing
Physical Properties	
Housing	Metal
Weight	2.46 kg ( 5.42 lb )
Dimensions (L x W x H)	43.72 x 16.40 x 4.40 cm (17.21 x 6.46 x 1.73 in.)
Note	For some of rack mount products, please note that the standard physical dimensions of WxDxH are expressed using a LxWxH format.

Diagram



**ATEN International Co., Ltd.**

3F., No.125, Sec. 2, Datong Rd., Sijhih District., New Taipei City 221, Taiwan  
 Phone: 886-2-8692-6789 Fax: 886-2-8692-6767  
 www.aten.com E-mail: marketing@aten.com



© Copyright 2015 ATEN® International Co., Ltd.  
 ATEN and the ATEN logo are trademarks of ATEN International Co., Ltd.  
 All rights reserved. All other trademarks are the property of their respective owners.