

KE6900ST

USB DVI-D Single Display Slim KVM Over IP Transmitter – TAA



The KE6900ST Slim DVI-D KVM over IP Extender is a compact and affordable high performance IP-based transmitter that allows access to a computer system from a remote USB console (USB keyboard, USB mouse, DVI-D monitor over an intranet, enabling users to locate computers in a secure and temperature controlled environment, which is isolated from users' workstation. All the extenders can be paired with any KE series* receiver or transmitter for a savings solution that stays within budget.

The KE6900ST supports DVI-D video input from the computer. The transmitter provides video resolutions up to 1920 x 1200 @ 60 Hz and offer flawless and visually lossless video quality with low latency. The extender also supports Virtual Media function and RS-232 serial commands.

The KE6900ST can be set on a desk, mounted on a wall or at the rear of a rack with its space-saving 0U rack mount design. The KVM over IP extender provides multiple ways for configuration, such as the receiver's local OSD, [CCKM](#), or RS-232 / Telnet text menu. The KVM over IP extender also offers enhanced security features such as supporting AES encryption for secured Video / Keyboard / Mouse / USB data transmissions and RADIUS / LDAP / AD or remote user authentication that provides an added layer of connection security.

When integrated with the [CCKM](#), the KVM over IP extender supports more advanced features such as boundless switching, fast switching, video wall, multi display, profile scheduling, auto detection of all KE Series extenders on the same subnet for the sake of fast installation or configuration, as well as username / password authentication and authorization. Please refer to the [CCKM](#) webpage for more details.

When working without the [CCKM](#) centralized management, the KVM over IP extender features the Slim Matrix Mode that makes up to 12 units of KE6900ST / [KE8900ST](#) / [KE9900ST](#) connect with unlimited Rx units. It means up to 12 IPs can be used to set transmitters.

Whether the user is configuring, monitoring, administrating, controlling or extending computer access, the KVM over IP Matrix System is made adaptable, to fit an endless variety of working environments and workstation settings, as well as to provide solutions in broadcasting, control center, multimedia, manufacturing and many other industries where matrix extending is required.

Note: Please visit www.aten.com comprehensive list of the KVM over IP extenders.

Features

• Advanced Features*

- Visually lossless video compression up to 1920 x 1200 @ 60Hz with low latency; 8-bit RGB (24-bit total color)
- [ATEN Matrix Link](#) – allows users to instantly link transmitters and receivers to perform real-time port and profile switching on an iPad
- Fast Switching – 0.3-second switching between transmitter-connected servers of any resolution
- Flexible connections – allows multiple extender and matrix connections for multi-display installations and video wall applications
- "Push" and "Pull" – share content instantly by just one click
- Boundless Switching – simply moves the mouse cursor across screen borders to switch between different receivers (Rx)
- Video Walls – creates multiple video walls with up to 12 x 12 (144 displays max.) in each layout
- Advanced Scheduling – improves efficiency and saves costs by allowing connections to be set based on time and date
- Virtual Transmitter – independently streams video, audio, USB, and serial sources from different Tx
- Internal and external authentication support – LDAP, Active Directory, RADIUS and TACACS+
- Advanced User Authorization Settings – administrators can set up to four access modes on Tx devices for collaboration or prevention of interference among users
- Configurable user and group permissions for access and control of the KVM over IP extenders
- Tx grouping of up to 4 sets of KVM over IP transmitters to support multi-display applications

Note: *These advanced functions are supported when the KVM over IP extenders are managed by [CCKM](#)

• Slim Matrix Mode

- Works without [CCKM](#) centralized management
- Fast Switching – switching between different remote video resolutions on a local display within 0.3 second (OSD available only with Slim Matrix Mode)
- Hotkey switch ports – supports to switch to the other transmitters by pre-defined hotkeys Ctrl + F1 ~ Ctrl + F12
- Supports primary server reconnect notification

• Hardware

- The housing meets IEC 60945 standards for maritime control room use and has passed environmental tests
- High speed USB Storage Transmission support
- Auto-MDIX – automatically detects cable type
- Built-in 8 KV / 15 KV ESD protection and 1 KV surge protection
- Slim, light and fanless design for silent operations that are energy efficient
- Support connection via Gigabit Ethernet port
- Wall mounting, and rack mounting available

• Management

- OSD (On Screen Display) – enables configuration of both Tx / Rx devices on the receiver's display screen
- EDID Expert™ – selects optimum EDID settings to prevent video compatibility issue caused by different monitors
- On-screen Preview (Panel Array™ Mode) – allows users to view the video of up to 36 displays on one screen
- Video Compression Level – allows users to increase/decrease the video quality to adjust for appropriate network bandwidth
- Command Line Interface – administrators can control all KVM over IP extenders via RS-232 or Telnet by issuing commands or 3rd-party application
- RS-232 serial ports – allow you to connect to a serial terminal for text menu, CLI, or serial devices such as touch screens and barcode scanners
- Compatible with all KE extenders

• Security

- Dedicated LAN port for KE direct connections – can be isolated from the corporate network
- Secure data transmission – AES-128 bit encryption to secure all data before its transmitted over a network and decrypts the data on the receiver
- Supports industry standard Transport Layer Security (TLS) protocol

• Virtual Media

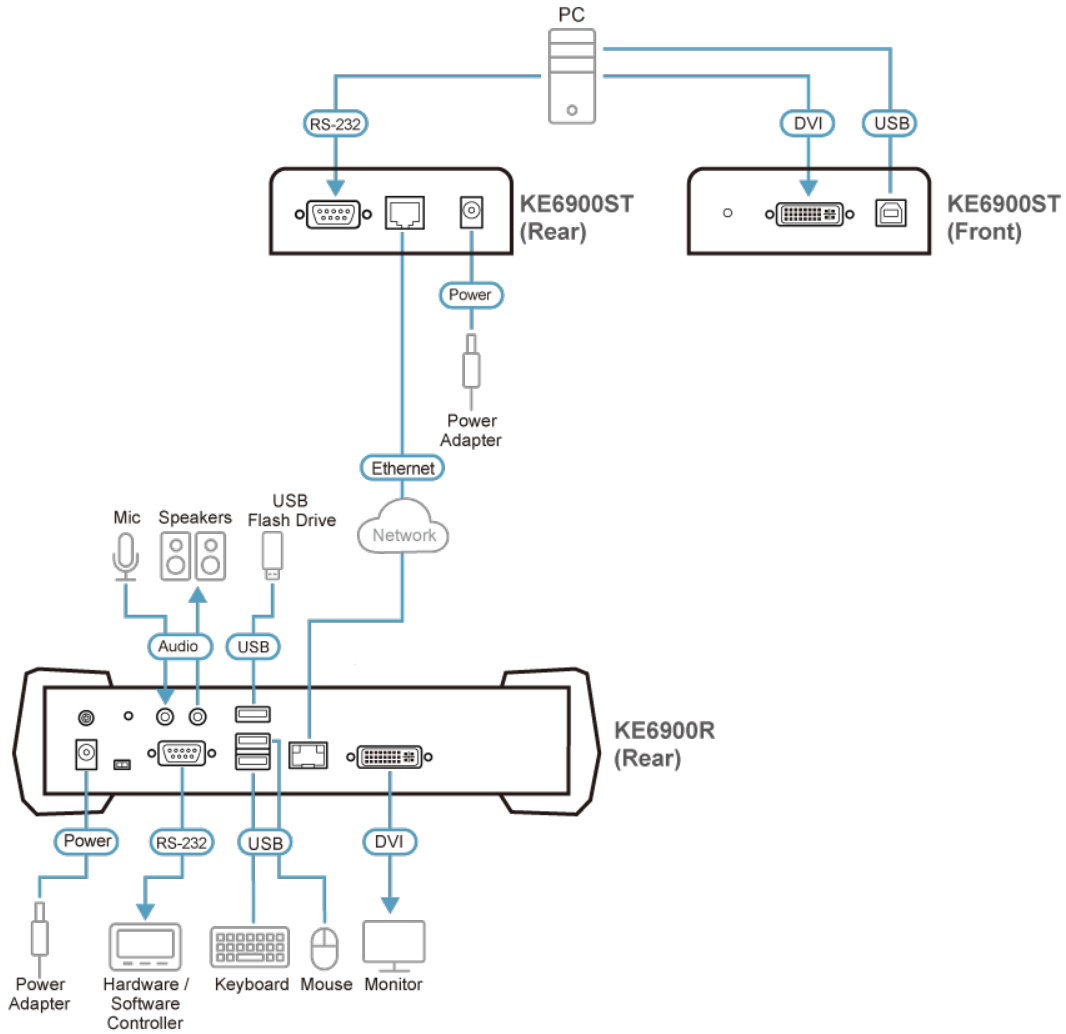
- USB Storage Transmission mode enhances data transmission performance, ideally for file transfers, OS patching, software installations and diagnostic testing
- Supports USB 2.0 DVD/CD drives, USB mass storage devices, PC hard drives and ISO images
- Supports Smart Card/CAC Reader

Specification

Connectors	
KVM Ports	1 x USB Type B Female (White) 1 x DVI-D Female (White) 1 x DB-9 Female (Black)
Power	1 x DC Jack (Black)
LAN Ports	1 x RJ-45 (Black)
Switches	
Reset	1 x Semi-recessed Pushbutton
LEDs	
10/100/1000 Mbps	1 (Green / Orange)
Power	1 (Blue)
Emulation	
Keyboard / Mouse	USB
Power Consumption	DC5V:3.35W:15BTU/h Note: ● The measurement in Watts indicates the typical power consumption of the device with no external loading. ● The measurement in BTU/h indicates the power consumption of the device when it is fully loaded.
Video Resolution	Up to 1920 x 1200 @ 60Hz
Latency	< 48ms
Environmental	
Operating Temperature	0–50°C
Storage Temperature	-20–60°C
Humidity	0–95% RH, Non-condensing
Physical Properties	
Housing	Metal
Weight	0.43 kg (0.95 lb)
Dimensions (L x W x H)	14.39 x 10.30 x 3.00 cm (5.67 x 4.06 x 1.18 in.)
Note	For some of rack mount products, please note that the standard physical dimensions of WxDxH are expressed using a LxWxH format.

Diagram

► Diagram



ATEN International Co., Ltd.

3F., No.125, Sec. 2, Datong Rd., Sijhih District., New Taipei City 221, Taiwan
 Phone: 886-2-8692-6789 Fax: 886-2-8692-6767
 www.aten.com E-mail: marketing@aten.com



© Copyright 2015 ATEN® International Co., Ltd.
 ATEN and the ATEN logo are trademarks of ATEN International Co., Ltd.
 All rights reserved. All other trademarks are the property of their respective owners.