

EA1240

Temperature & Humidity Sensor



The PDU supports external, environment sensors that allow administrators to monitor temperature and humidity remotely. IT administrators can set environment thresholds to identify critical value and take preventive action before a system failure occurs – thereby helping to obtain the highest degree of availability for all mission-critical equipment.

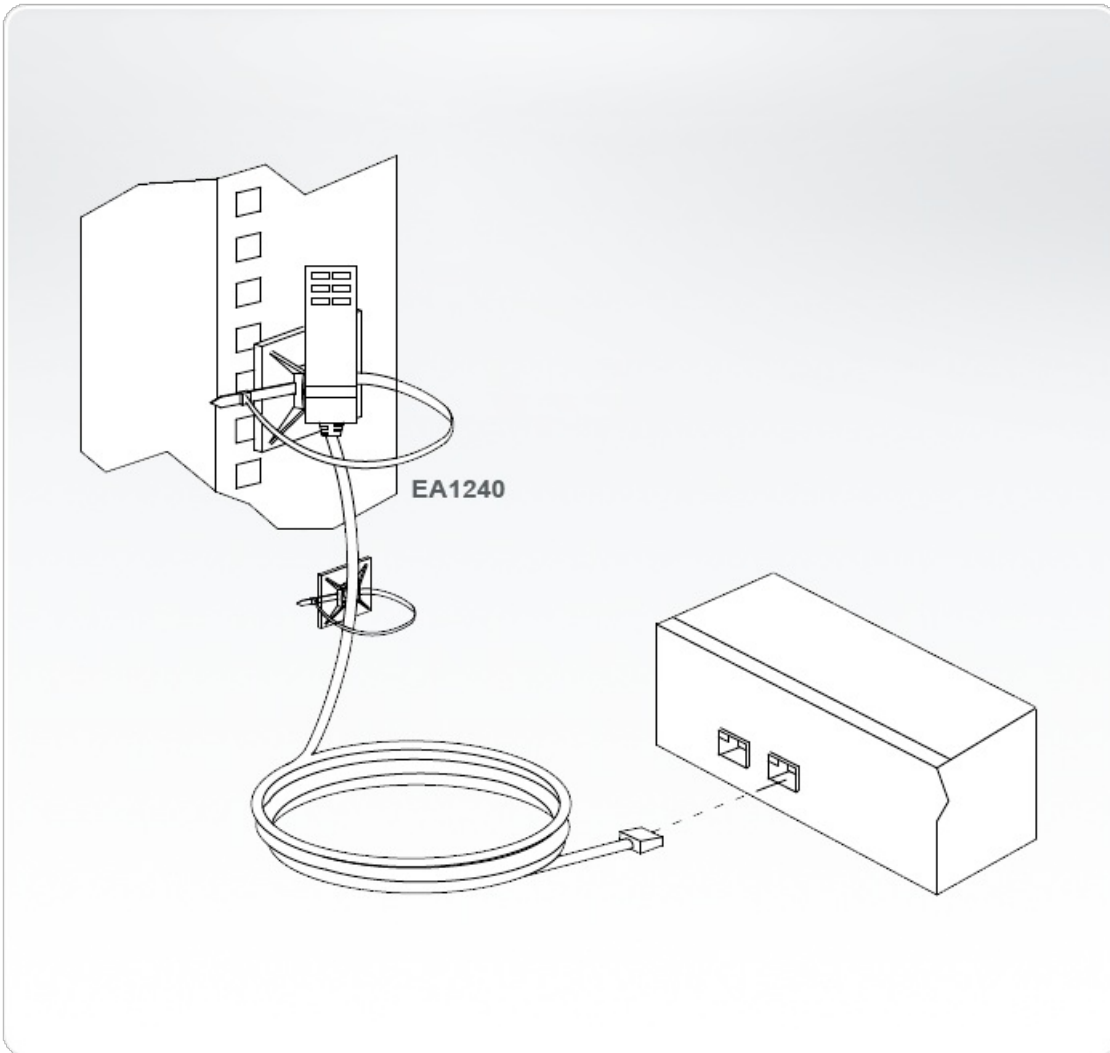
Features

- Environmental Temperature Measurement
- Environmental Humidity Measurement
- Optional [PN7212](#) / [PN7320](#) Temp/Hum Sensor

Specification

| | |
|-----------------------|-----------------------------------------------|
| Connectors | RJ-11 Male |
| Measurement | |
| Range | Temperature: 0 - 40°C Humidity: 30– 80% RH |
| Accuracy | Temperature: +/- 1°C Humidity: +/- 3 % RH |
| Supply Voltage | 5 VDC (Max) |
| Current Consumption | 5mA(Max); 2mA(Avg.) |
| Environmental | |
| Operating Temperature | 0 - 55°C |
| Storage Temperature | -20 - 70°C |
| Humidity | < 95% RH |
| Physical Properties | |
| Housing | Plastic |
| Weight | 0.06 kg |
| Cable Length | 3 m |

Diagram



ATEN International Co., Ltd.

3F., No.125, Sec. 2, Datong Rd., Sijhih District., New Taipei City 221, Taiwan
Phone: 886-2-8692-6789 Fax: 886-2-8692-6767
www.aten.com E-mail: marketing@aten.com



© Copyright 2015 ATEN® International Co., Ltd.
ATEN and the ATEN logo are trademarks of ATEN International Co., Ltd.
All rights reserved. All other trademarks are the property of their
respective owners.