

## CL3116

16-Port PS/2-USB VGA Single Rail WideScreen LCD KVM Switch



The ATEN CL3116 LCD KVM Switch offers a space-saving, streamlined approach to KVM switch technology by integrating a keyboard, 18.5" LED-backlit LCD monitor, and a touchpad in a 1U rack-mountable sliding housing. The short-depth design maximizes space utility for equipping rack-mounting devices in narrow spaces. In addition, its exclusive LED illumination light provides users with proper visibility when working in low-light conditions.

The CL3116 can control up to 16 computers; when 16 additional KVM switches are cascaded, a single CL3116 LCD KVM Switch can control up to 256 computers. To achieve greater operational efficiency, the CL3116 offers Broadcast mode, which the console spreads out the commands to all computers to perform operations simultaneously. Besides, the Auto scan mode fulfills the needs for continuous monitoring a specific group of computers, and establishing a reliable working environment for users.

To enhance information safety, the CL3116 provides two-level password security which restricts unauthorized users from viewing and controlling the computers. For added convenience, the CL3116 comes with an additional hot-pluggable USB mouse port that only supports HID device for keyboard and mouse.

As a feature-rich LCD KVM Switch, the CL3116 is aimed not just to achieve but exceed the requirements for space utility optimization, superior video quality, adaptive deployment, and operational versatility, and thus is ideal for control rooms with limited space in any industry.

Note: Optional rack mount kits are available. For more information, refer to Compatible Accessories below.

**Features**

• **Space Utility Optimization**

- Exclusive LED illumination light – designed by ATEN to illuminate the keyboard and touchpad to allow visibility in low-light conditions
- Integrated LCD KVM console with an 18.5" LED-backlit widescreen LCD monitor in a single rail housing with top and bottom clearance for smooth operation in a 1U high system rack
- Short-depth design allows you to work with your rack-mounting equipment in narrow spaces
- Console lock – enables the console drawer to remain securely locked away in position when not in use

• **Reliability and Operational Versatility**

- Superior video quality - up to 1366 x 768 @60Hz; DDC2B
- Cascade up to 2 levels – CL3116 controls up to 256 computers from a single console (With compatible KVM Switches: [CS1308/CS1316](#))
- Dual Interface – supports computers with PS/2 or USB keyboards and mice
- Auto PS/2 and USB interface detection
- Keyboard and mouse emulation (PS/2 and USB) for smooth switching and simultaneously booting multiple computers even when the console focus is elsewhere
- Computer selection via pushbuttons, hotkeys, and multilingual on-screen display (OSD)
- Broadcast mode – allows you to send commands from the console to all computers to perform operations simultaneously
- Two level password security – only authorized users can view and control computers
- Auto Scan mode – enables continuous monitoring of user-selected computers
- Keyboard Language support: English(US); English(UK); French, German, German(Swiss), Greek, Hungarian, Italian, Japanese, Korean, Russian, Spanish, Swedish, Traditional Chinese and Turkish.
- Additional hot-pluggable USB mouse port on front panel that supports HID device for keyboard and mouse

• **Installation Flexibility**

- Standard rack mount kit included
- Optional rack mount kits available including easy installation options\*
- No software required
- Firmware upgradable
- Supports hot-plugging

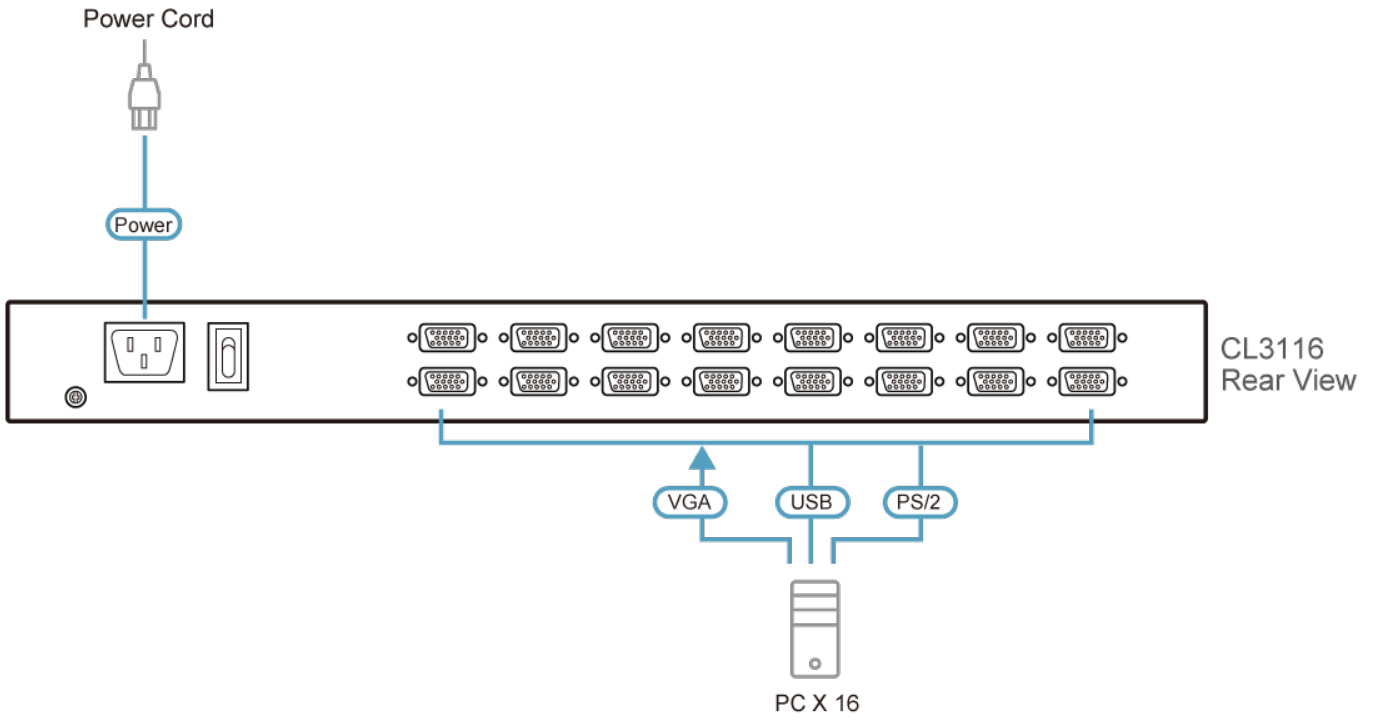
[More information about "Easy Rack Mounting"...](#)

**Specifications**

Function	CL3116NX
Computer Connections	
Direct	16
Maximum	256 (via Cascade)
Port Selection	OSD, Hotkey, Pushbutton
Connectors	
KVM Ports	16 x SPHD Female (Yellow)
Firmware Upgrade	1 x 3.5mm Audio Jack Female (Black)
Power	1 x IEC 60320/C14
External Mouse Port	1 x USB Type A Female (Front)
Switches	
Port Selection	16 x Pushbutton
Reset	1 x Semi-recessed Pushbutton
Firmware Upgrade	1 x Slide Switch
Power	1 x Rocker Switch
LCD Control	4 x Pushbutton
LCD Power	1 x LED Pushbutton
LEDs	
Online	16 (Orange)
Selected	16 (Green)
Power	1 x KVM Console (Dark Green) 1 x LCD (Orange)

Lock	1 x Num Lock (Green) 1 x Caps Lock (Green) 1 x Scroll Lock (Green)
LED Illumination Light	1 x LED Illumination Light
Panel Spec	
LCD Module	18.5" TFT-LCD
Resolution	1366 x 768 @ 60 Hz
Response time	5 ms
Viewing Angle	170° (H), 160° (V)
Pixel Pitch	0.3 mm x 0.3 mm
Support Color	16.77M colors
Contrast Ratio	1000 : 1
Luminance	450 cd/m <sup>2</sup>
Video	
Input Video Resolution	up to 1920 x 1200 @ 60 Hz; 1366 x 768 @ 60 Hz, DDC2B
Scan Interval	1-255 seconds
Emulation	
Keyboard / Mouse	PS/2, USB
Maximum Input Power Rating	100-240 V AC, 50-60 Hz, 1 A
Power Consumption	AC110V:14.1W:70BTU/h AC220V:14.9W:74BTU/h  Note: <ul style="list-style-type: none"> <li>● The measurement in Watts indicates the typical power consumption of the device with no external loading.</li> <li>● The measurement in BTU/h indicates the power consumption of the device when it is fully loaded.</li> </ul>
Environmental	
Operating Temperature	0-40°C
Storage Temperature	-20-60°C
Humidity	0 - 80% RH, Non-condensing
Physical Properties	
Housing	Metal + Plastic
Rail Type	Single Rail
Weight	10.60 kg ( 23.35 lb )
Dimensions (L x W x H)	48.06 x 63.10 x 4.28 cm (18.92 x 24.84 x 1.69 in.)
Body Dimensions(L x W x H)	44.92 x 58.4 x 4.28 cm (17.69 x 22.99 x 1.69 in.)
Note	Body Dimensions exclude I/O ports, handles, and mounting brackets.
Note	For some of rack mount products, please note that the standard physical dimensions of WxDxH are expressed using a LxWxH format.

Diagram



**ATEN International Co., Ltd.**

3F., No.125, Sec. 2, Datong Rd., Sijhih District., New Taipei City 221, Taiwan  
Phone: 886-2-8692-6789 Fax: 886-2-8692-6767  
www.aten.com E-mail: marketing@aten.com



© Copyright 2015 ATEN® International Co., Ltd.  
ATEN and the ATEN logo are trademarks of ATEN International Co., Ltd.  
All rights reserved. All other trademarks are the property of their respective owners.