

## CL3700

Ultra Short Depth Single Rail WideScreen LCD Console (USB, HDMI)



### CL3700NX is discontinued

The CL3700 USB HDMI LCD Console is a short depth single rail LCD KVM console featuring an 18.5" LED-backlit widescreen LCD monitor with an integrated keyboard and touchpad. The short-depth design fits all 19" equipment cabinets, and is especially suitable for shallow racks. The CL3700 provides an ideal space-saving solution for special environments such as outside broadcast vans (OB vans) and compact control rooms.

The CL3700 is a dedicated front end sliding console for compatible HDMI KVM switches. The CL3700NW's full HD widescreen LCD monitor ensures excellent video quality and provides ample viewing area. For added convenience, users can choose to manage the computer from an external console. The CL3700 features a port for an external USB mouse on the unit's front panel, while ports for the second KVM console (USB keyboard/mouse and HDMI monitor) are provided on the rear panel.

With a rich feature set, the CL3700 is designed to exceed the requirements for space utility optimization, superior video quality, adaptive deployment, and operational versatility, and is ideal for applications such as mobile live streaming in the broadcasting sector or control rooms with limited space in any industry.

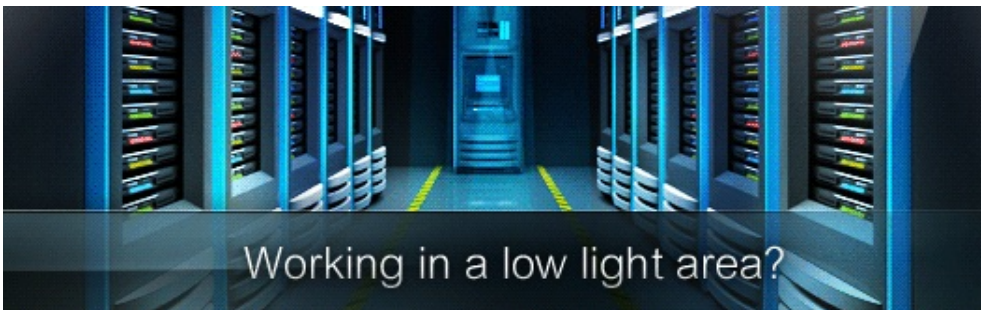
In addition, testing is performed using the MIL-STD-810G\* procedure to verify High/Low Temperature, Vibration, and Shock Resistance. MIL-STD-810G testing ensures the CL3700NW operates reliably in harsh environments by subjecting the equipment to rigorous testing. This process emphasizes the equipment's environmental design and limits under real-world conditions it will encounter throughout its lifespan, such as operating in extreme temperature ranges or on vessels experiencing frequent high vibrations and shocks on the ocean.

#### Note:

Suggest to collocate with [2K-0003/ 2K-0004](#), and [2X-EA12](#) (LockPro HDMI cable lock), [2X-EA07](#) (Lok-U-Plug cable holder) to install

**CL3700NW: 18.5" LCD screen with Full HD resolution of 1920 x 1080**

**CL3700NX: 18.5" LCD screen with resolution of 1366 x 768 (Discontinued)**



**Features**

• **Space Utility Optimization**

- Exclusive LED illumination light – designed by ATEN to illuminate the keyboard and touchpad to allow visibility in low-light conditions
- Integrated LCD KVM console with an 18.5" LED-backlit widescreen LCD monitor in a single rail housing with top and bottom clearance for smooth operation in a 1U high system rack
- Short-depth design allows you to work with your rack-mounting equipment in narrow spaces
- Console lock – enables the console drawer to remain securely locked away in position when not in use
- Optional 2-in-1U Mounting Kit ([2K-0001/2K-0002/2K-0007](#)) – fitting the CL3700 and a rack KVM switch/KVM over IP switch in 1U of space on a rack for space-saving, easy and flexible operation\*

• **Remarkable Video Experience**

- Supports HDMI video input
- The 18.5" LCD screen offers resolutions of up to 1920 x 1080 (Full HD) @ 60Hz for CL3700NW and resolutions of up to 1366 x 768 @ 60Hz for CL3700NX
- External console supports input video resolutions up to 1920 x 1200 @ 60Hz

• **Installation Flexibility**

- Standard rack mount kit included
- Optional rack mount kits available including easy installation options<sup>1</sup>
- No software required
- Firmware upgradable
- Supports hot-plugging

• **Reliability and Operational Versatility**

- Supports an external console with USB / HDMI connectors
- Additional hot-pluggable USB mouse port on front panel (also functions as a USB peripheral port)
- Console selection via hotkey
- Standard 105-key keyboard
- High/ Low Temperature, Vibration and Shock Resistance Test – MIL-STD-810G compliant (CL3700NW only)<sup>2</sup>

Note:

1. Contact your ATEN dealer for product information
2. For more information about MIL-STD-810G environmental testing, please refer to user manual

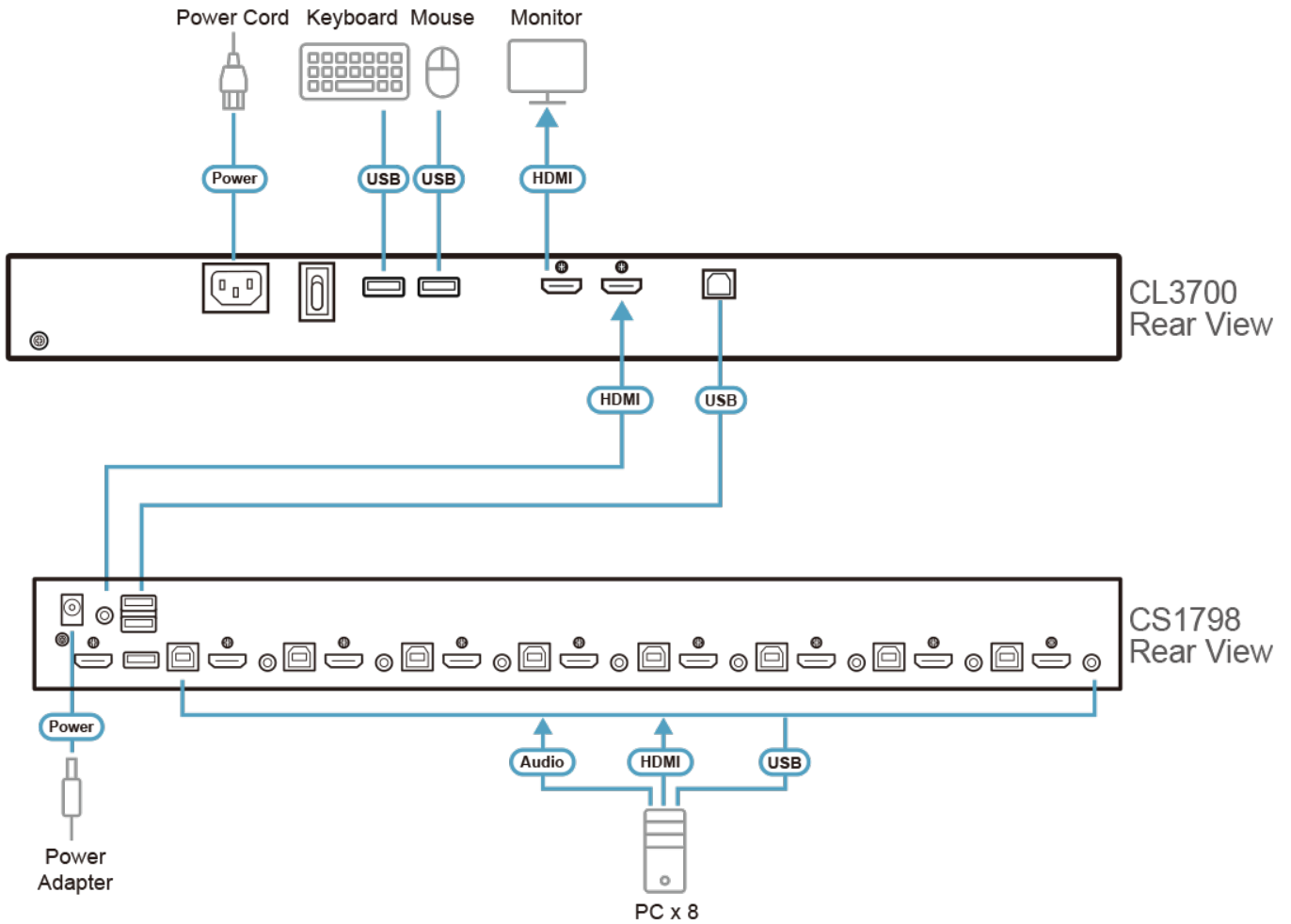
[More information about "Easy Rack Mounting"...](#)

**Specifications**

Function	CL3700NW	CL3700NX
Computer Connections		
Direct	1	1
Console Selection	Hotkey	Hotkey
Connectors		
KVM Ports	1 x HDMI Female 1 x USB Type B Female	1 x HDMI Female 1 x USB Type B Female
Firmware Upgrade	1 x 3.5mm Audio Jack Female (Black)	1 x 3.5mm Audio Jack Female (Black)
Power	1 x IEC 60320/C14	1 x IEC 60320/C14
External Console Ports	1 x HDMI Female 2 x USB Type A Female	1 x HDMI Female 2 x USB Type A Female
External Mouse / Peripheral	1 x USB Type A Female (Front)	1 x USB Type A Female (Front)
Switches		
Reset	1 x Semi-recessed Pushbutton	1 x Semi-recessed Pushbutton
Firmware Upgrade	1 x Slide Switch	1 x Slide Switch
Power	1 x Rocker Switch	1 x Rocker Switch
LCD Control	4 x Pushbutton	4 x Pushbutton
LCD Power	1 x LED Pushbutton	1 x LED Pushbutton

LEDs		
Power	1 x KVM Console (Dark Green) 1 x LCD (Orange)	1 x KVM Console (Dark Green) 1 x LCD (Orange)
Lock	1 x Num Lock (Green) 1 x Caps Lock (Green) 1 x Scroll Lock (Green)	1 x Num Lock (Green) 1 x Caps Lock (Green) 1 x Scroll Lock (Green)
LED Illumination Light	1 x LED Illumination Light	1 x LED Illumination Light
Panel Spec		
LCD Module	18.5" TFT-LCD	18.5" TFT-LCD
Resolution	1920 x 1080 @ 60 Hz	1366 x 768 @ 60Hz
Response time	20 ms	5 ms
Viewing Angle	178° (H), 178° (V)	170° (H), 160° (V)
Pixel Pitch	0.213 mm x 0.213 mm	0.3 mm x 0.3 mm
Support Color	16.77M colors	16.77M colors
Contrast Ratio	1000 : 1	1000 : 1
Luminance	350 cd/m <sup>2</sup>	250 cd/m <sup>2</sup>
Video		
Input Video Resolution	up to 1920 x 1200 @ 60Hz; 1920 x 1080 @ 60 Hz, DDC2B	up to 1920 x 1200 @ 60Hz; 1366 x 768 @ 60 Hz, DDC2B
Emulation		
Keyboard / Mouse	USB	USB
Maximum Input Power Rating	100–240 V AC, 50/60 Hz, 1 A	100–240 V AC, 50/60 Hz, 1 A
Power Consumption	AC110V:23.3W:124BTU/h AC220V:23.9W:127BTU/h  Note: ● The measurement in Watts indicates the typical power consumption of the device with no external loading. ● The measurement in BTU/h indicates the power consumption of the device when it is fully loaded.	AC110V:13.6W:79BTU/h AC220V:13.5W:78BTU/h  Note: ● The measurement in Watts indicates the typical power consumption of the device with no external loading. ● The measurement in BTU/h indicates the power consumption of the device when it is fully loaded.
Environmental		
Operating Temperature	0–40°C	0–40°C
Storage Temperature	-20–60°C	-20–60°C
Humidity	0–80% RH, Non-condensing	0–80% RH, Non-condensing
Physical Properties		
Housing	Metal + Plastic	Metal + Plastic
Rail Type	Single Rail	Single Rail
Weight	9.10 kg ( 20.04 lb )	9.03 kg ( 19.89 lb )
Dimensions (L x W x H)	48.06 x 47.70 x 4.28 cm (18.92 x 18.78 x 1.69 in.)	48.06 x 47.70 x 4.28 cm (18.92 x 18.78 x 1.69 in.)
Body Dimensions(L x W x H)	44.92 x 43.00 x 4.28 cm	44.92 x 43.00 x 4.28 cm
Note	Body Dimensions exclude I/O ports, handles, and mounting brackets.	Body Dimensions exclude I/O ports, handles, and mounting brackets.
Note	For some of rack mount products, please note that the standard physical dimensions of WxDxH are expressed using a LxWxH format.	

Diagram



**ATEN International Co., Ltd.**

3F., No.125, Sec. 2, Datong Rd., Sijhih District., New Taipei City 221, Taiwan  
 Phone: 886-2-8692-6789 Fax: 886-2-8692-6767  
 www.aten.com E-mail: marketing@aten.com



© Copyright 2015 ATEN® International Co., Ltd.  
 ATEN and the ATEN logo are trademarks of ATEN International Co., Ltd.  
 All rights reserved. All other trademarks are the property of their respective owners.