

VC882

True 4K HDMI Repeater with Audio Embedder and De-Embedder





True 4K HDMI Audio Embedder and De-Embedder

HDMI[™]
HIGH-DEFINITION MULTIMEDIA INTERFACE

3D, Deep Color



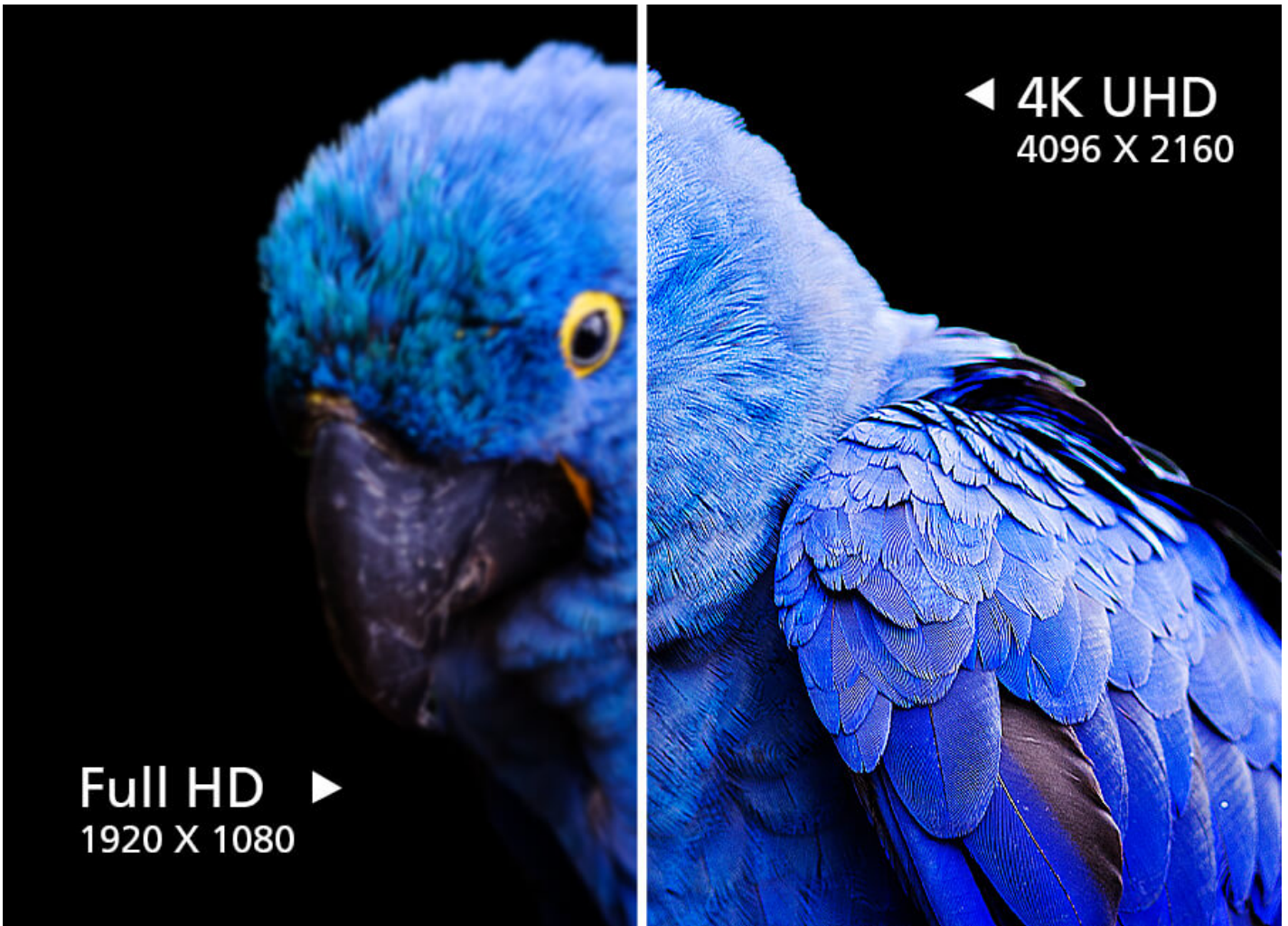
Superior Video Quality



Audio Embedding / De-embedding



Audio Return Channel



Stunning visual clarity with true 4K & HDR

Indulge in breathtaking clarity and vibrant colors with the VC882 HDMI switcher, featuring support for 4K HDR 10+ video at 60Hz that will elevate your viewing to a whole new level.

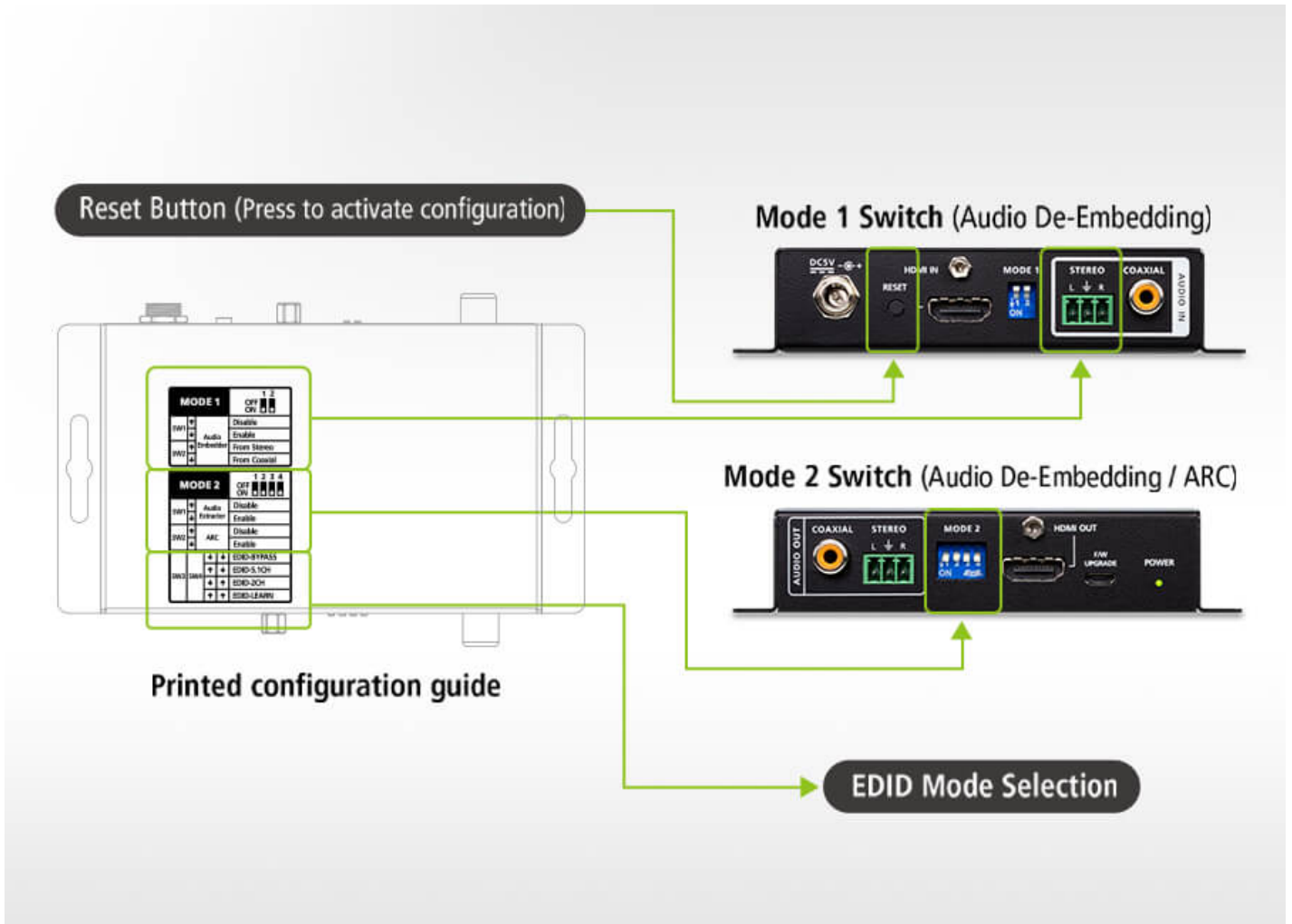
True 4K long-distance transmission

Enjoy stunning visuals with this HDMI switcher's support for input and output resolutions of 3840 x 2160@60Hz (4:4:4) / 4096 x 2160@60Hz (4:4:4) up to 5 meters*, providing you with a clear and vivid image even at longer distances.

*Tested with ATEN HDMI Cable [2L-7D05H-1](#).

**Note: ATEN LockPro™ ([2X-EA12](#)) is available separately upon purchase.





Simplified configuration

Easily configure VC882 with the included printed setup guide that covers audio embed/de-embed, ARC, and EDID options for hassle-free setup.

Contact Us

Get a quote for this product or get in touch with our sales experts

[Get Quote](#)

[Contact Sales](#)

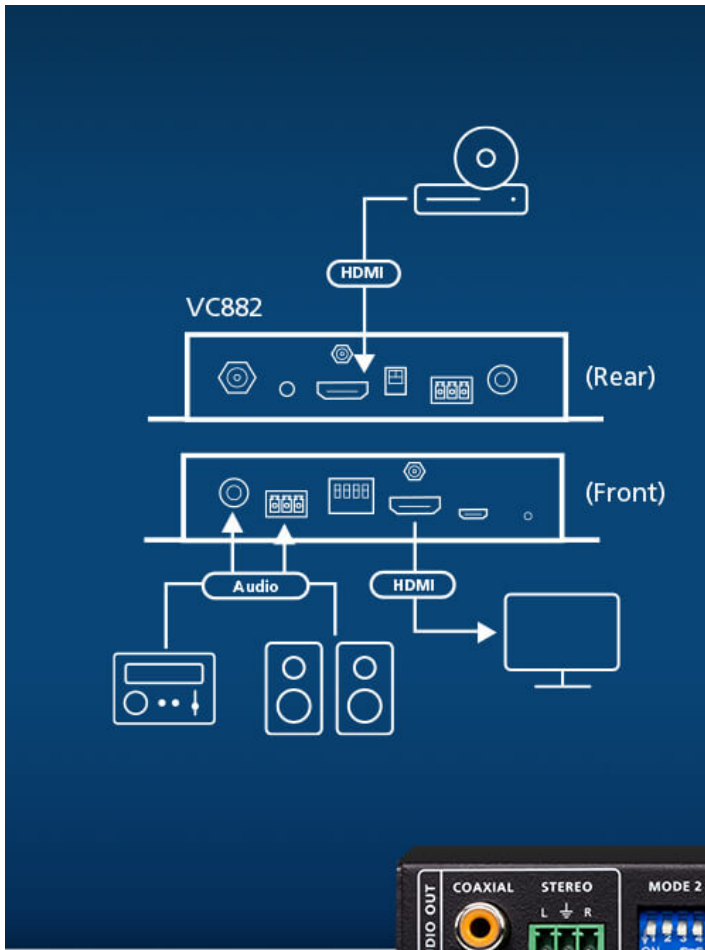
Easy audio embedding

Enhance your viewing experience with the VC882 by simplifying audio embedding for monitoring and recording in settings such as training rooms and classrooms.

The image is a composite of four parts. On the left is a white wiring diagram on a dark blue background. It shows a source device with an HDMI port and an Audio port. The VC882 device has an HDMI input (Rear) and an Audio input (Rear). The VC882 has an HDMI output (Front) and an Audio output (Front). The Audio output is connected to a VS182B HDMI Splitter, which then splits the signal to a server and a monitor. On the right, there are two photographs. The top one shows a chef and students in a kitchen, with a green arrow pointing to the text 'Cooking School'. The bottom one shows a classroom with a large screen and speakers, with a green arrow pointing to the text 'Classroom'. At the bottom center is a photograph of the physical VC882 device, which is black with a silver faceplate. It features a COAXIAL output, a STEREO output (L and R), a MODE 2 indicator, an HDMI OUT port, an FW UPGRADE button, and a POWER indicator.

Enjoy superior sound

Experience superior sound quality in conference rooms or home theaters with the VC882's audio de-embedding feature that separates the audio signal from the HDMI signal and outputs it to an amplifier or speaker.



Hassle-free audio setup

Eliminate the need for extra audio cables and enjoy an easy setup with the audio return channel (ARC) function, which directly outputs TV audio to speakers or amplifiers.



No Audio Cable Needed



Audio In



Audio Out



Product Comparison

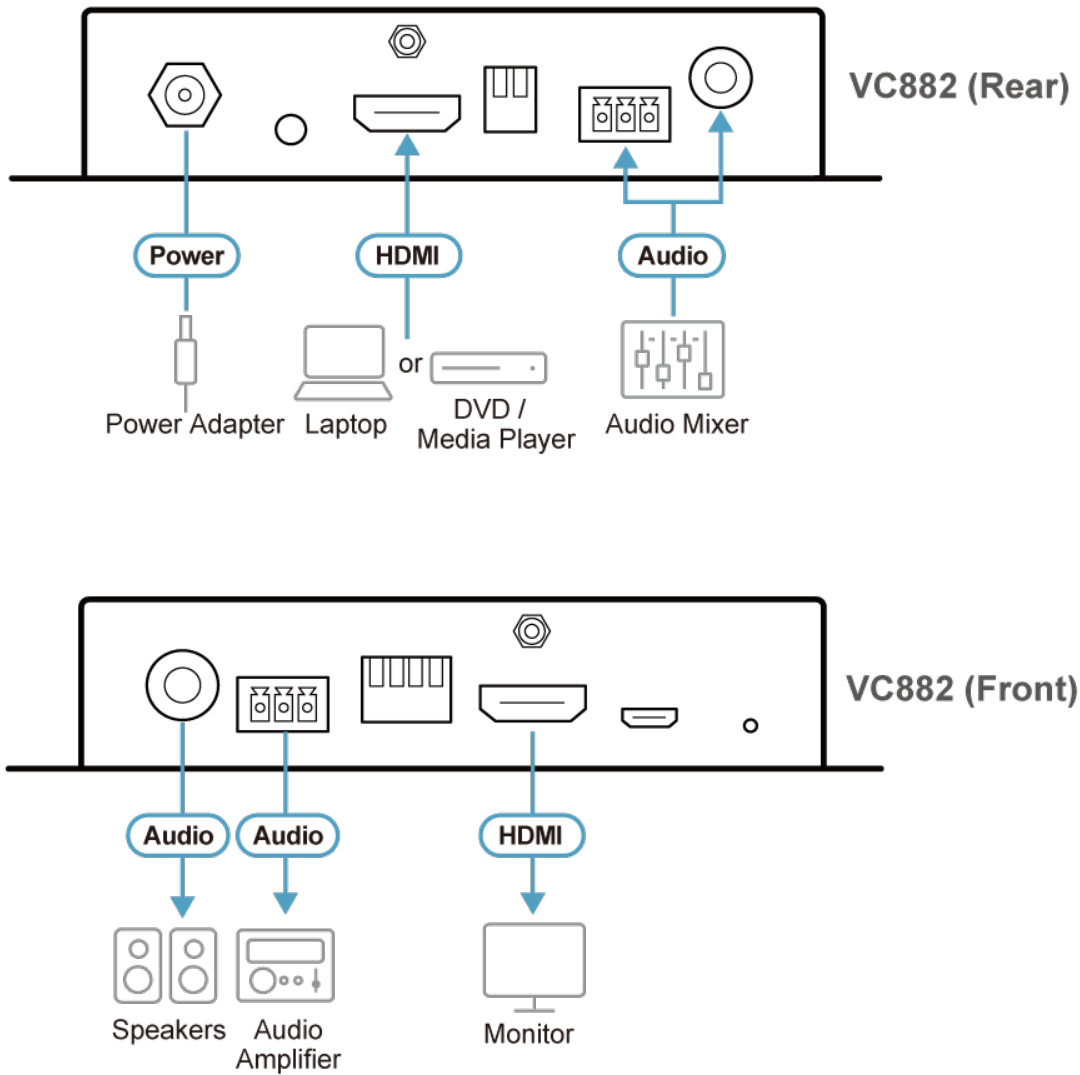
Talk to Our Experts

If you prefer to have ATEN contact you, please complete the form and a representative will be in touch with you shortly

LEDs	
Power	LED (blue) x1
Reset Button	Push button x1 (to activate mode configuration)
Switches	
Mode Selection	<p>MODE 1 (2-PIN) PIN#1 (Enable / Disable Audio Embedder Function) PIN#2 (Audio embed from Coaxial / Stereo)</p> <p>MODE 2 (4-PIN) PIN#1 (Enable / Disable Audio Extractor Function) PIN#2 (Enable / Disable ARC function) PIN#3&4 (EDID mode selection: Bypass, 5.1 CH, 2 CH, Learn)</p>
Video Input	
Interfaces	1 x HDMI Type A Female (Black)
Impedance	100 Ω
Max. Distance	5 meters
Video Output	
Interfaces	1 x HDMI Type A Female (Black)
Impedance	100 Ω
Max. Distance	5 meters
Video	
Max. Data Rate	18 Gps
Max. Pixel Clock	600 MHz
Compliance	HDMI 2.0 (3D, Deep Color) HDCP 2.2
Max. Resolution	4096 X 2160@60Hz(4:4:4) 8 bit
Audio	
Output	<p>Coaxial x1 Format: LPCM2.0, Dolby Digital 2.0, Dolby Digital 5.1, DTS Digital 5.1 3-pin terminal block x 1 Format: Analog, stereo, unbalanced, LPCM2.0</p>
Input	<p>Coaxial x1 Format: LPCM2.0, Dolby Digital 2.0, Dolby Digital 5.1, DTS Digital 5.1 3-pin terminal block x 1 Format: Analog, stereo, unbalanced, LPCM2.0</p>
Connectors	
Power	1 x DC Jack, 5V 1A, Lockable
Firmware Upgrade	1 x Micro USB
Power Consumption	<p>DC5V:2.905W:9.92BTU/h</p> <p>Note:</p> <ul style="list-style-type: none"> ● The measurement in Watts indicates the typical power consumption of the device with no external loading. ● The measurement in BTU/h indicates the power consumption of the device when it is fully loaded.
Environmental	
Operating Temperature	0 - 40 °C
Storage Temperature	-20 - 60 °C
Humidity	0 - 80% RH, Non-Condensing
Physical Properties	
Housing	Metal
Weight	0.24 kg (0.53 lb)

Dimensions (L x W x H)	12.22 x 8.22 x 2.50 cm (4.81 x 3.24 x 0.98 in.)
Carton Lot	5 pcs
Note	For some of rack mount products, please note that the standard physical dimensions of WxDxH are expressed using a LxWxH format.

Diagram



ATEN International Co., Ltd.

3F, No.125, Sec. 2, Datong Rd., Sijhih District., New Taipei City 221, Taiwan
 Phone: 886-2-8692-6789 Fax: 886-2-8692-6767
 www.aten.com E-mail: marketing@aten.com



© Copyright 2015 ATEN® International Co., Ltd.
 ATEN and the ATEN logo are trademarks of ATEN International Co., Ltd.
 All rights reserved. All other trademarks are the property of their respective owners.