

VS184A

4-Port 4K HDMI Splitter



Consistent 4K Mirroring on Four Displays

VS184A 4-Port 4K HDMI Video Splitter

The VS184A is a 4-Port HDMI video splitter that delivers up to 4K@30 resolution from a single HDMI source to four HDMI displays simultaneously, ensuring reliable content sharing in home entertainment, educational, and commercial setups such as studios, offices, classrooms, retail stores, and more.

One Source, 4-Way Video Distribution

The splitter accepts input from an HDMI device – such as a PC, laptop, media player, and more – and streams the AV content to up to four HDMI-enabled displays, making it suitable for both consumer and professional applications.



Pristine 4K Clarity

The VS184A supports Ultra HD resolutions up to 4K (3840x2160 @ 30Hz, 4:4:4), delivering crystal-clear detail.

Flexible Long-Distance Cabling

The VS184A allows flexible cabling, with connections up to 3 meters (using [2L-7D03H](#)) to an HDMI source and up to 15 meters (using [2L-7D15H](#)) to each HDMI display, delivering data rates of up to 10.2 Gbps.



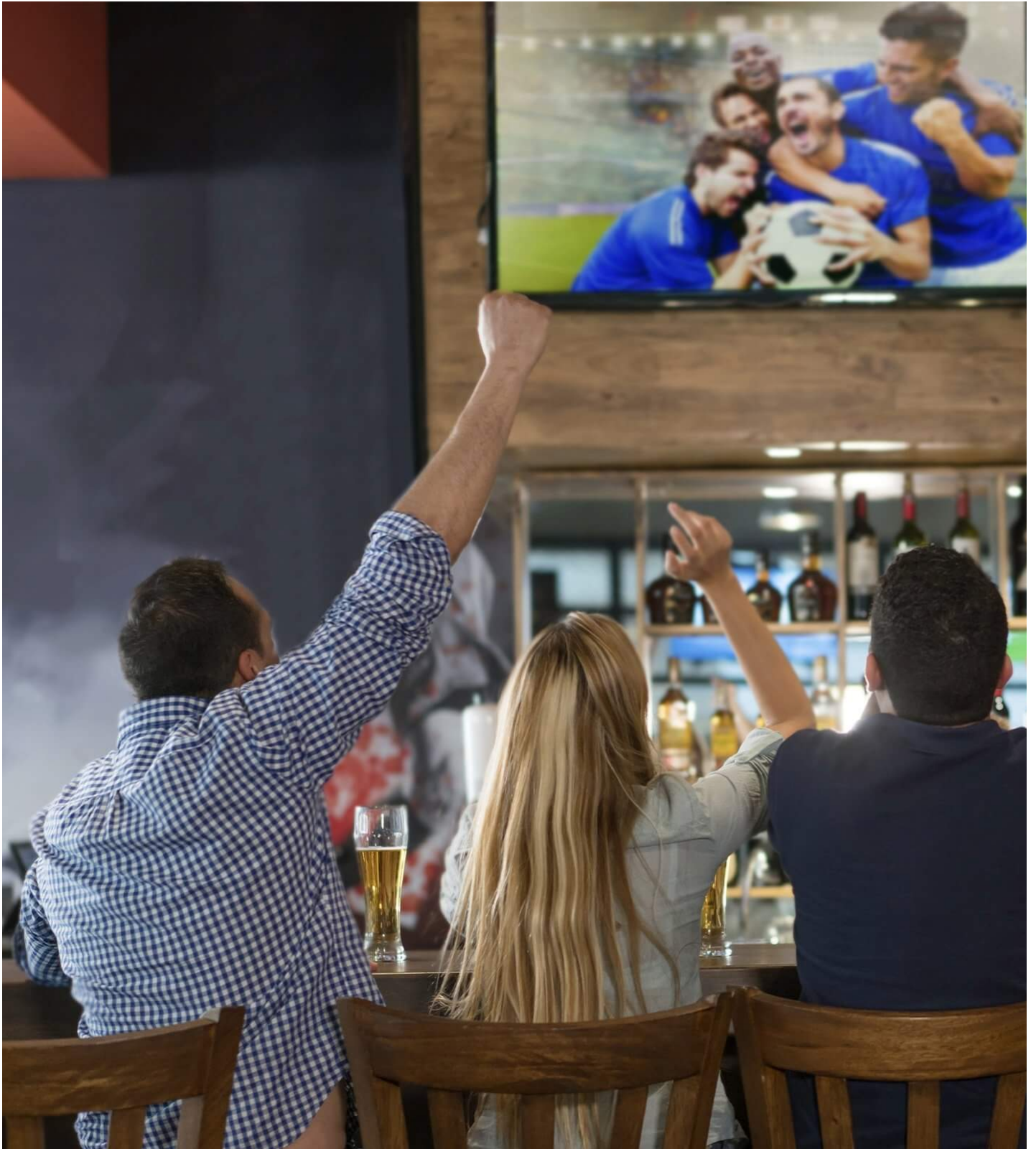
Applications

The video splitter is ideal for applications that require seamless distribution of pristine audiovisual content across multiple displays, ensuring a stunning viewing experience in any AV setup.

- 1.
- 2.
- 3.
- 4.
- 5.



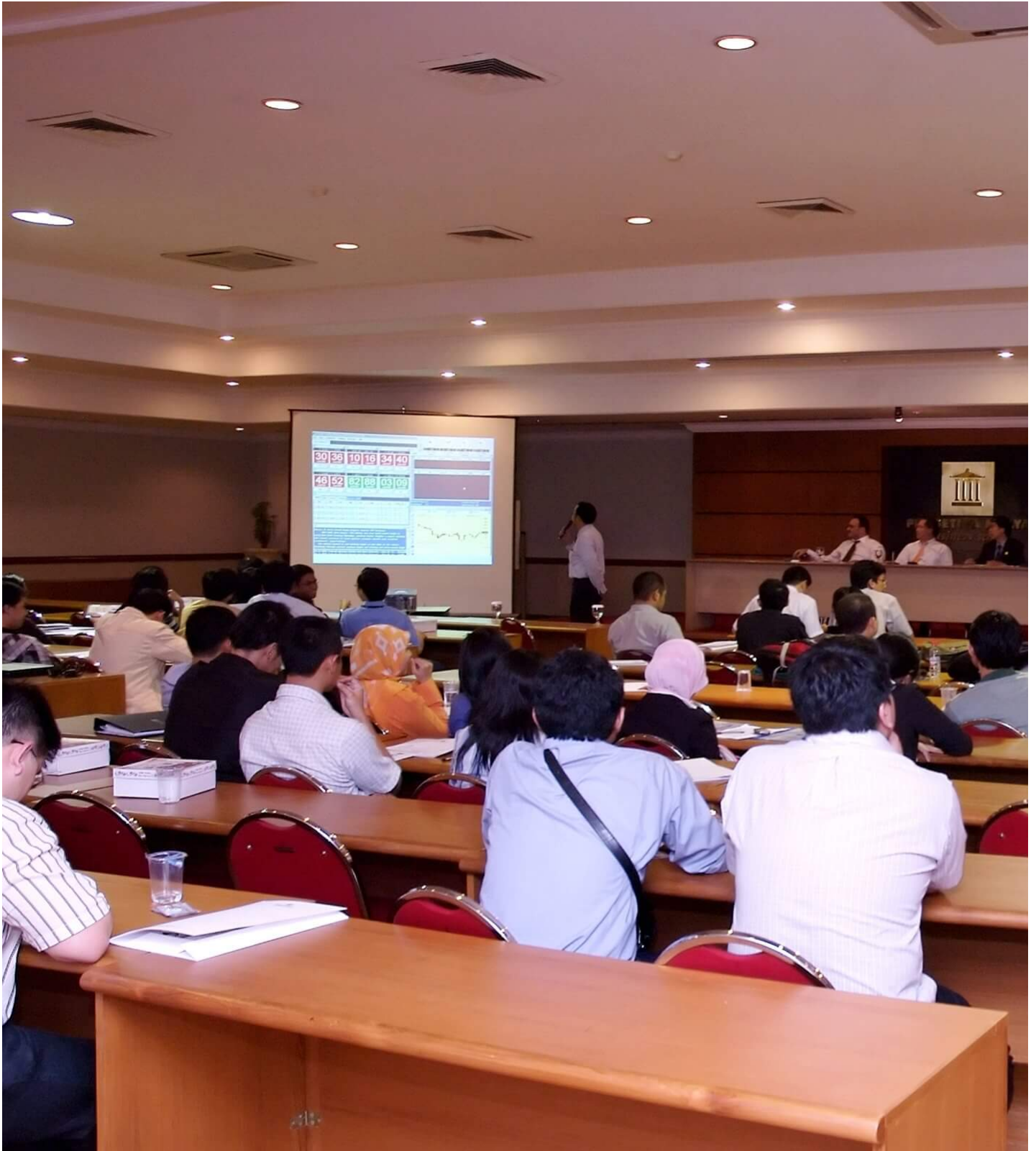
Superstore



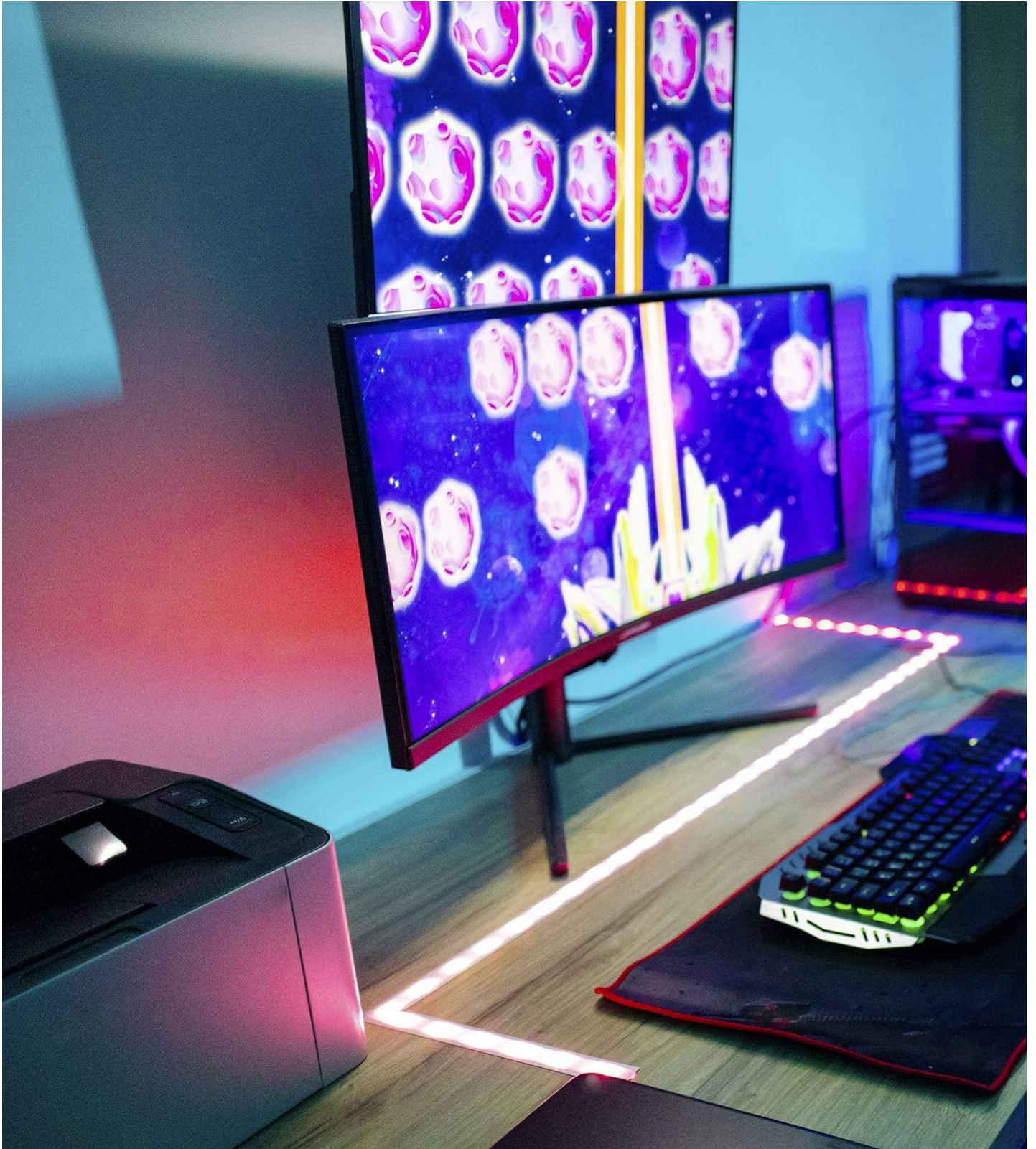
Sports Bar



Station



Lecture Hall



Live Game Streaming

[Previous](#) [Next](#)

Commitment to Best Quality

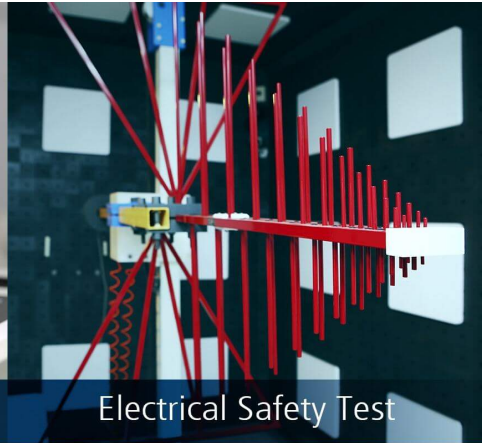
Each product is rigorously tested under diverse environmental conditions to ensure high-quality, reliable, and cost-effective performance for our customers.



Temperature & Humidity Test



Reliability Test



Electrical Safety Test



ISO9001:2015 & ISO14000

Talk to Our Experts

If you prefer to have ATEN contact you, please complete the form and a representative will be in touch with you shortly

First Name *

Last Name *

- Country *

Company *

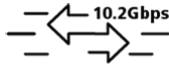
Email *

Phone Number *

- Customer Type *

Job Title *





10.2Gbps Max.
Bandwidth

Features

The VS184A HDMI Splitter is the perfect solution for anyone who needs to send one source of digital high definition video to four displays at the same time. It supports all HDMI-enabled equipment, such as DVD players, satellite set-top boxes and all HDMI displays.

The VS184A HDMI Splitter is HDCP (High Bandwidth Digital Content Protection) compliant, making it effective for use with all HDMI displays in home theater applications, as well as in corporate, educational and commercial settings.

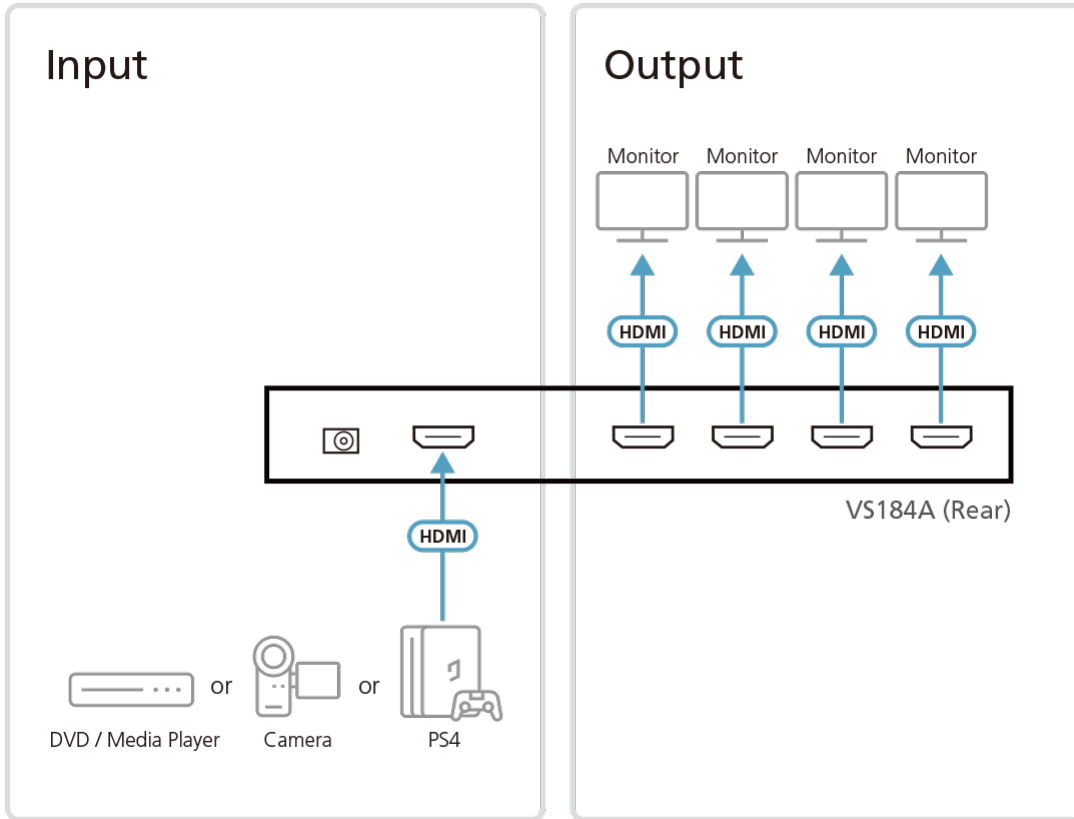
- Connects one HDMI source to four HDMI displays at the same time
- HDMI (3D, Deep Color, 4K); HDCP Compatible
- Supports resolutions of up to Ultra HD 4k x 2k
- Supports Dolby True HD and DTS HD Master Audio
- Long distance transmission – up to 15 m (24 AWG)
- Supports max. data rate of 10.2 Gbps
- Plug-and-play – no software installation required

Note: Long distance transmission up to 20m (with ATEN [2L-7D20H](#))

Specifications

Video Input	
Interfaces	1 x HDMI Type A Female (Black)
Impedance	100 Ω
Max. Distance	3m @3840x2160@30Hz (4:4:4)
Video Output	
Interfaces	4 x HDMI Type A Female (Black)
Impedance	100 Ω
Max. Distance	15m @3840x2160@30Hz (4:4:4)
Video	
Max. Data Rate	10.2 Gbps (3.4 Gbps Per Lane)
Max. Pixel Clock	340 MHz
Compliance	HDMI (3D, Deep Color, 4K); HDCP Compatible
Max. Resolution	Up to 4096 x 2160 / 3840 x 2160 @ 60Hz (4:2:0); 4096 x 2160 / 3840 x 2160 @ 30Hz (4:4:4)
Audio	
Input	1 x HDMI Type A Female (Black)
Output	4 x HDMI Type A Female (Black)
Connectors	
Power	1 x DC Jack
Power Consumption	DC5.3V:6.02W:28BTU/h Note: • The measurement in Watts indicates the typical power consumption of the device with no external loading. • The measurement in BTU/h indicates the power consumption of the device when it is fully loaded.
Environmental	
Operating Temperature	0-50 °C
Storage Temperature	-20 - 60°C
Humidity	0 - 80% RH, Non-Condensing
Physical Properties	
Housing	Metal
Weight	0.47 kg (1.04 lb)
Dimensions (L x W x H)	20.00 x 8.00 x 2.50 cm (7.87 x 3.15 x 0.98 in.)
Carton Lot	20 pcs
Note	For some of rack mount products, please note that the standard physical dimensions of WxDxH are expressed using a LxWxH format.

Diagram



ATEN International Co., Ltd.

3F., No. 125, Sec. 2, Datong Rd., Sijhih District., New Taipei City 221, Taiwan
Phone: 886-2-8692-6789 Fax: 886-2-8692-6767
www.aten.com E-mail: marketing@aten.com



© Copyright 2015 ATEN® International Co., Ltd.
ATEN and the ATEN logo are trademarks of ATEN International Co., Ltd.
All rights reserved. All other trademarks are the property of their respective owners.